

BAKGAT⁴

DORMER VEILING

14 MAART 2026



**NUWE
VENUE!**

**BE HUMAN
MIDDELWATER
BLOEMFONTEIN**

**40 SP Ramme, 60 SP Ooie
en 100 Kommersiele Ooie**

*Die veiling wat die moeite
werd is om voor te wag*



KONTAK:

Johnny Forbes: 082 544 2336
Dirk Heyman: 064 108 9587

Charles Church: 071 044 0838
Juan Du Randt: 071 483 8121

**RULES OF AUCTION IN RESPECT OF THE SALE
VLEISSENTRAAL PORT ELIZABETH (EDMS) BPK (1964/009227/07)**

(As Auction House hereinafter referred to as the “**Auctioneer**”, and the person conducting the auction referred to as the “**auctioneer**”)

1. The Sale by auction is subject to a reserve price, unless specifically stated to the contrary by the auctioneer.
2. The seller (owner) and/or his/her representative and/or his/her agent and/or the auctioneer may not bid on any of the seller / owner's goods sold by auction unless it has been specifically advertised or announced from the podium that the auctioneer or seller (owner) or the respective agents or representatives reserve the right to do so.
3. This *Rules Of Auction* comply with Section 45 of the Act and the Regulations of the Act and Section 45(2) of the Consumer Protection Act, Act 68 of 2008 (“the Act”) read as follows:
“Auctions:
45.(1) *In this section, “auction” includes a sale in execution of or pursuant to a court order, to the extent that the order contemplates that the sale is to be conducted by an auction.*
 - (2) *When goods are put up for sale by auction in lots, each lot is, unless there is evidence to the contrary, regarded to be the subject of a separate transaction.*
 - (3) *A sale by auction is complete when the auctioneer announces its completion by the fall of the hammer, or in any other customary manner, and until that announcement is made, a bid may be retracted.*
 - (4) *Notice must be given in advance that a sale by auction is subject to –*
 - (a) *a reserve or upset price; or*
 - (b) *a right to bid by or on behalf of the owner or auctioneer, in which case the owner or auctioneer, or any other person on behalf of the owner or auctioneer, as the case may be, may bid at the auction.*
 - (5) *Unless notice is given in advance that a sale by auction is subject to a right to bid by or on behalf of the owner or auctioneer –*
 - (a) *the owner or auctioneer must not bid or employ any person to bid at the sale;*
 - (b) *the auctioneer must not knowingly accept any bid from a person contemplated in paragraph (a); and*
 - (c) *the consumer may approach a court to declare the transaction fraudulent, if this subsection has been violated.*
 - (6) *The Minister may prescribe requirements to be complied with by an auctioneer, or different categories of auctioneer, in respect of –*
 - (a) *the conduct of an auction;*
 - (b) *the records to be maintained with respect to property placed for auction; and*
 - (c) *the sale of any property by auction.*
4. The auctioneer will during the auction announce the reason for the auction unless the reason is the normal and voluntary disposal by the owner.
5. The auction will commence at the published time and will not be delayed allowing any specific person or more persons to take part in the auction.
6. All goods and livestock (hereinafter referred to as the “assets”) are sold by the Auctioneer as agent on behalf of the Seller, who hereby authorizes the Auctioneer to collect the purchase price from the Buyer and the seller do hereby cedes to the Auctioneer all the seller's rights, title and interest in and to its claim for payment of the purchase price against the purchaser which session the Auctioneer do hereby accepts.
7. The purchase price excludes VAT and VAT must be added to the purchase price and paid by the Buyer, unless specifically stipulated otherwise by the auctioneer.
8. The breakdown of advertising costs, if any, will be attached as an annexure to this *Rules Of Auction*. Additional costs may be added and if so it will be computed in terms of an agreement and/or invoice issued by the supplier or the Auctioneer.
9. If any other Special Conditions apply to this sale, other than the general *Rules Of Auction*, it will be attached as an annexure to this *Rules Of Auction*.
10. All assets, other than catalogue animals, shall, immediately after the bid has been knocked down and accepted by the Seller or the Auctioneer, be deemed to have been delivered to the Buyer. Notwithstanding delivery, the Buyer shall not be entitled to remove any purchased assets unless the total amount reflected on the Auctioneer's invoice in respect of such assets has been paid in full.
11. Notwithstanding delivery, ownership of the purchased assets will not pass to the Buyer until the full purchase price plus interest, if any, is paid.
12. Subject to any reserve price placed on any of the assets by the Seller, and the provisions of clause 13 and 14 below, the Buyer at any sale shall be the highest bidder indicated by the auctioneer by the fall of the hammer or by such other means as he or she may select.
13. The auction shall take place under the exclusive control of the auctioneer. The auctioneer reserves the right, in his/her sole discretion without the necessity to furnish any reasons, to refuse the bid of any person, to regulate the bidding and to indicate the highest bidder. If the auctioneer suspects that a bidder has not made a bona fide bid, or is unable to pay the purchase price or has not made satisfactory arrangements for payment of the purchase price, he may refuse to accept the bid of such bidder or accept it provisionally until the bidder has satisfied him that he is in a position to pay the purchase price or that he has made satisfactory arrangements for payment thereof. On refusal of a bid under such circumstances the assets may immediately be re-auctioned.
14. In the event of a dispute arising amongst the bidders and or the auctioneer, the assets in dispute shall, at the sole discretion of the auctioneer, be re-auctioned.
15. Any mistake by the auctioneer may be corrected by him/her upon discovery thereof.
16. All profit, loss or risk in the assets will pass to the Buyer once it has been delivered to the Buyer who shall at his own risk and expense remove it from the sale venue, subject to 10 above. The Buyer shall be responsible for all costs incurred by either the Seller or the Auctioneer until actual removal of the assets.
17. Should any contractor remove any assets from the sale venue on instruction of the Auctioneer's representatives, on behalf of the Buyer, the contractor will be deemed to be the contractor of the Buyer who accepts all costs and risks connected with such removal.
18. The Seller warrants that there are no encumbrances on such assets unless otherwise advised, that the said assets are the property of the

Seller, and that the Seller is competent and legally entitled to dispose of the assets. The Seller further warrants as against the Buyer that the assets are free of any patent or latent defects.

19. The Seller, who offers the assets for sale, accepts all liability regarding the information furnished as to pedigrees, ages, dates of service, state of health or gestation or any other particulars which might be incorrect. In the event of any dispute the Buyer shall only have a claim against the Seller and not against the Auctioneer.
20. The Seller warrants as against the Auctioneer that the assets are free of patent and latent defects and that any right or claim ceded to the Auctioneer in terms of these *Rules Of Auction* is free of any defect or right of deduction or set-off, and that the said right or claim is fully and immediately enforceable against the Buyer.
21. The Buyer shall, prior to the sale, ascertain whether there are any defects in the assets and any bid by a Buyer shall be considered as acceptance of the assets with any patent or latent defects in their condition at the time of sale.
22. The Buyer shall not be entitled to withhold payment of the purchase price to the Auctioneer because of any possible or pending claim that he may have against the Seller on the grounds of misrepresentation or for any other reason whatsoever.
23. The purchase price is payable by the Buyer to the Auctioneer in cash (to the discretion of the Auctioneer) or by EFT payment on the date of sale ("the payment date") unless other payment terms and or means were agreed between the Auctioneer and the Buyer. The Company reserves the right to refuse any method or means as payment.
24. If the Auctioneer agrees to facilitate the purchase of the assets by paying an amount equal to the purchase price to the Seller before the Buyer makes payment to the Auctioneer ("the Payment Terms Agreement"), then the following shall apply:
 - 24.1 The election to make any payment to the Seller shall be in the sole and absolute discretion of the Auctioneer, which discretion may be exercised separately regarding each transaction entered into by the Buyer.
 - 24.2 Upon payment of the amount referred to in 24.1 above the Seller's right, title and interest in and to any claims and other rights against the Buyer in terms of or connected with the sale of the assets shall forthwith be ceded and transferred to the Auctioneer which session the Auctioneer hereby accepts.
25. In the event of any Payment Terms Agreement between the Auctioneer and the Buyer, the following shall apply;
 - 25.1 No Payment Terms Agreement shall be valid unless reduced to writing and duly signed on behalf of the Auctioneer. The facilitation of any sale by the Auctioneer as referred to in this paragraph shall be strictly subject to the terms and conditions of the Payment Terms Agreement.
 - 25.2 In the event of any conflict between the contents of this document and the Payment Terms Agreement, the provisions of the Payment Terms Agreement shall prevail.
 - 25.3 No application for credit as defined in section 8 of the National Credit Act, Act 34 of 2005, will be received or considered by the Auctioneer.
26. Anyone that intends to bid at the auction whether in his own name or on behalf of another (Buyer) must register his or her identity on the bidder's record prior to the commencement of the auction and such registration must meet the requirements of the FICA (Financial Intelligence Centre Act, 2001) in respect of the establishment and verification of identity of the person and the person must sign the registration entry and the prospective Buyer must furnish the Auctioneer with a copy of his/her identity document, proof of residence and proof of Income Tax registration.
27. CREDIT VERIFICATION:
 - 27.1 The Buyer and its representative(s) consent that the Auctioneer may verify the Buyer's credit record with any credit bureau.
 - 27.2 The Buyer and its representative(s) authorize the Auctioneer to compile a credit report on the company and guarantee that all directors and/or members have given their consent for the credit investigation, which also includes their personal credit profiles. The Buyer further agrees to any inquiries with the Buyer's bank to verify information about loan amounts and conditions.
 - 27.3 The Buyer and its representative(s) authorize the Auctioneer to continuously review the Buyer's credit report and confirm that the directors and/or members have given their consent for these inquiries.
 - 27.4 The Buyer and its representative(s) expressly agree that the Auctioneer has the right to list the BUYER with a credit bureau without notice if the BUYER fails to make payment.
28. PROTECTION OF PERSONAL INFORMATION (POPIA):
 - 28.1. The parties, the Seller and the Buyer and the Auctioneer or their respective representative(s), undertake to always comply with POPIA and any applicable privacy legislation.
 - 28.2. If the parties process personal information, they will:
 - apply reasonable security measures.
 - follow any additional requirements agreed upon.
 - using personal information only with the consent of the other Party.
 - treat personal information as confidential and not disclose it to third parties without written consent.
 - 28.3. The Auctioneer has the right to audit the parties' operations and access the necessary equipment and information to ensure compliance and investigate any security breaches.
 - 28.4. In the event of a security breach, the affected party must immediately notify and provide information such as the date, nature of the breach, responsible persons (if known), and protection measures.
 - 28.5. The parties will indemnify each other against any loss or damage resulting from non-compliance with POPIA and appoint an Information Officer as required.
29. Any person who purchases on behalf of a Principal (i.e. natural person) must furnish the Auctioneer with a written signed Power of Attorney, prior to the commencement of the auction, failing which he/she will be personally liable for payment of any purchases made by him/her. The person bidding on behalf of or signing any document on behalf of the purchaser pursuant to a successful bid hereby binds himself/herself personally as co-principal debtor with the Buyer for payment of the purchase price and personally guarantees all the obligations of the Buyer under this *Rules Of Auction*.
30. A person who attend the auction, to bid and to sign the bidder's record, on behalf of another person (i.e. on behalf of a company, close corporation or trust) must furnish the Auctioneer with a written signed Power of Attorney, prior to the commencement of the Auction, that expressly authorizes him/her to bid/sign the bidder's record on behalf of that legal person, failing which he/she will be personally liable for payment of any purchases made by him/her. Where a person in bidding/signing on behalf of a legal person, the Power of Attorney must

appear on the letterhead of the legal person and must be accompanied by a certified copy of the resolution, if required, authorizing him/her to bid/sign on behalf of the legal person. The person bidding on behalf of or signing any document on behalf of the buyer, in terms of the Power of Attorney, pursuant to a successful bid, hereby binds himself/herself personally as co-principal debtor with the buyer for payment of the purchase price and personally guarantees all the obligations of the Buyer under these *Rules Of Auction*

31. In the event where a Buyer allows another person to purchase on his or her buyer's number, the registered Buyer shall be liable for payment of such purchases. No bid by an unregistered Buyer will be accepted by the auctioneer and the Buyer will have no claim to any of the assets allegedly purchased by him.
32. Until all amounts owing by the Buyer have been paid in full, the Buyer hereby:
 - 32.1 irrevocably undertakes to identify the purchased assets in such a manner that he can at any time identify and indicate the assets deemed to be the property of, and pledged to, the Auctioneer.
 - 32.2 grants the Auctioneer at all reasonable time's access to the premises where the assets are stored or kept for the purposes of perfecting its pledge and exercising any other rights in terms of these *Rules Of Auction*.
33. The Buyer and the Seller hereby consent to the jurisdiction of the Magistrate's Court in terms of Section 45 of the Act on Magistrate Court (Act 32 of 1944 as amended) for any action instituted by the Auctioneer against the Buyer although the Auctioneer is entitled to institute proceedings in any competent Court.
34. A certificate issued by a Director of the Auctioneer, whose appointment and authority shall not be necessary to prove, shall be *prima facie* proof of the amount owing by the Buyer to the Seller or the Auctioneer.
35. Any indulgence granted by the Auctioneer to the Buyer or the Seller or non-compliance by the Auctioneer of this Rules will not prejudice the rights of the Auctioneer in terms of this *Rules Of Auction* and such indulgence will not constitute an amendment or waiver or novation of this *Rules Of Auction*.
36. The entries made in the Auctioneer's auction roll shall be *prima facie* evidence of the transaction and shall be binding on the Seller and the Buyer.
37. The bidder's record and the vendor or vendu roll will be made available for inspection within a reasonable time after the auction at the office of the Auctioneer during normal business hours free of charge.
38. The Auctioneer does have a trust account into which all money will be paid for the benefit of the Seller minus the agreed commission.
39. Any assets entered or offered for sale are subject to payment by the Seller/Buyer of the agreed commission, or in absence of agreement the usual commission by the Seller/Buyer to the Auctioneer at the rate customarily charged by the Auctioneer from time to time, whether the assets are sold at the auction or thereafter, or at any time thereafter by private treaty. Unless otherwise agreed in writing, commission shall become due and payable by the Seller/Buyer upon the fall of the hammer or upon the entering into of any private treaty involving the Seller's said assets, whichever date is the earlier, and notwithstanding any breach on the part of the Seller/Buyer.
40. Every bid shall constitute an offer to purchase the property or goods for the amount bid, which the Seller or the auctioneer may accept or reject in their absolute discretion. The seller and auctioneer are entitled, in their absolute discretion to withdraw the property or goods from the sale prior to acceptance by the Seller.
41. If no bid equals or exceeds the reserve price, if any, the property or goods may be withdrawn from the auction.
42. The Auctioneer accepts no liability for any withdrawal of assets from sale.
43. No bid may be withdrawn after the fall of the hammer, and in respect of immovable property until the expiry of the confirmation period (if any) that is provided for in the Conditions of Sale, during which time the offer shall be open for acceptance by the Seller or his agent, and if the offer is accepted the sale shall be deemed to be a sale by auction for purposes of the Act.
44. The highest bidder in respect of immovable property, being the Purchaser, shall sign the Conditions of Sale immediately after the fall of the hammer.
45. The purchaser's offer in respect of immovable property shall only be deemed to have been accepted when the seller or his agent or whichever may be applicable, has signed the Conditions of Sale on behalf of the Seller in the space provided at the end of the Conditions of Sale.
46. In the event of the sale requiring the consent of any statutory authority or any court of law, then this auction will be subject to the granting of such consent.
47. The Buyer and the Seller do hereby consent to the payment of attorney and own client costs in the event of any action being instituted against them by the Auctioneer whether summons or any other legal action is instituted or not.
48. Any agreement contrary to these *Rules Of Auction* shall not be binding unless it is confirmed in writing and signed by a Director of the Auctioneer.
49. If any clause or term of these *Rules Of Auction* should be invalid, unenforceable and illegal, then the remaining terms and provisions of these *Rules Of Auction* shall be deemed to be severable there from and shall continue in full force and effect unless such invalidity, unenforceable or illegality goes to the root of these *Rules Of Auction*.
50. **Default by Buyer:** Should the Buyer/Purchaser refuse or otherwise fail to pay the purchase price within 7 days of the due date, the Auctioneer shall be entitled to;
 - 50.1 claim interest from the Buyer/Purchaser at the prescribed *mora* interest rate calculated from the date of purchase to date of payment, and/or
 - 50.2 repossess the assets, to resell same at the risk of the defaulting Buyer/Purchaser who shall be liable for all costs in connection with the resale and any loss or damage incurred, and will not be entitled to any profit that may arise from the resale, and/or
 - 50.3 institute legal proceedings for the payment of any amount owing or for the return of the assets in which event the provisions of clause 50.2 will apply,
 - 50.4 recover the Auctioneer's legal costs calculated at the Attorney and own Client tariff as well as collection, tracing, storage and transport costs, and
 - 50.5 retain in pledge any assets or other property in the possession of the Auctioneer belonging to either the Buyer/Purchaser or the Seller as security for the due fulfilment of any obligation owed to the relevant party or the Auctioneer.
51. The Company reserves the right to amend these *Rules Of Auction* in writing.
52. By entering a bid any prospective Buyer binds himself or herself to this *Rules Of Auction*.

Baie dankie aan ons borge



ANIMAL, OWNER AND PEDIGREE INFORMATION

LOT 1 (F)

SUPER-SHEEP BREEDER
Pretoria, Gauteng
082 123 4680
lambchops@gmail.com

ABC 220001

Herd Book	SP
Birth date	2022-06-15
Age	1.3 jaar
Inbreeding	6.63%
Birth Stat.	3
AFL	12.4m
ILP	-
EPI	100
Lambled	1
Lambs	2
Weaned	0

ABC 160020

ABC 190216 (2)

ABC 170012 (3)

SKP 140197

SKP 110036

SKP 120001

SKP 130164

SHP 130073

SHP 130102

SHP 130064

SPR 140018

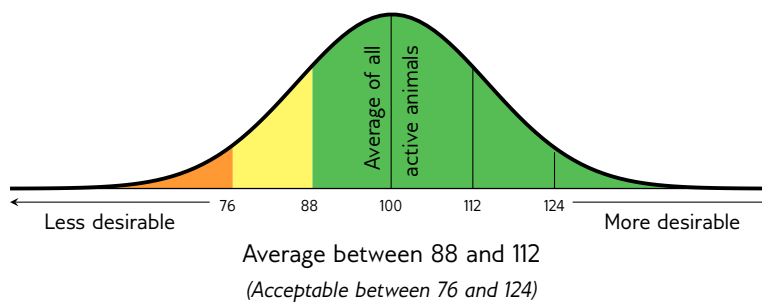
1. Lot Number & sex (mixed lots)
2. GT - animal is genomically tested
3. Animal's identification number
4. Animal's photo (or owner's logo)
5. Breed's logo
6. Animal's information
 - Herd book section
 - Birth date
 - Animal's age
 - Animal's inbreeding percentage
 - Birth status
7. Parentage Verification - a green tick (✓) indicates that the sire and/or dam has been verified via microsatellite (DNA) and/or Genomic testing
8. Owner's logo
9. QR code that links to animal's information on SASmallStock.co.za
10. Additional information (Ewes)
 - Age at first lambing, Interlambing Period, and Ewe Production Index
 - Number of times lambled, lambs born and lambs weaned
11. Additional information (Rams)
 - Number of progeny in the herd, total progeny and number of herds used
12. Owner's most recent Elite Award
13. Owner's information
14. Dam-line information
 - Age at First Lambing, Interlambing Period, and Ewe Production Index
 - Number of times lambled, lambs born and lambs weaned
15. Four (4) generation pedigree

EXPLANATION OF BREEDING VALUES AND SELECTION VALUES FORDORMER

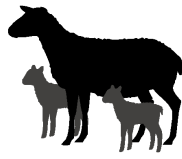
Traits	Description/Measurement	Goal	General Guidelines					
			76	88	100	112	124	
Indices	1 Logix Merit Index	Total Merit Index	Balanced, profitable animals	Loss				Profit
	2 Growth Index	Direct and maternal growth potential	Adequate growth	Light			*	Heavy
	3 Reproduction Index	Overall ewe fertility	Fertile ewes	Poor				Good
Growth	6 Weaning Weight Direct	Wean weight (lamb's ability)	Heavy weaner lambs	Light				Heavy
	7 Weaning Weight Maternal	Wean weight (ewe's ability)	Good mothering ability	Poor			*	Good
	8 Post-Wean Direct	Post-wean weight (lamb's ability)	Adequate post-wean growth	Light			*	Heavy
Fertility	9 Number of Lambs Weaned	Multiples at birth and good survival	Large number of lambs weaned	Few				Many
	10 Total Weight Weaned	Good survival and heavy weights	Heavy lambs weaned	Light				Heavy
	11 Age at First Lambing	Early sexual maturity	Fertile young ewes	Late				Early
	12 Interlambing Period	Early pregnancy in season	Fertile ewes	Long				Short

* Determined by own selection goal

INTERPRETATION OF BREEDING VALUE INDICES



SELECTION INDICES FOR DORMER



1 L♀ GIX Merit Index

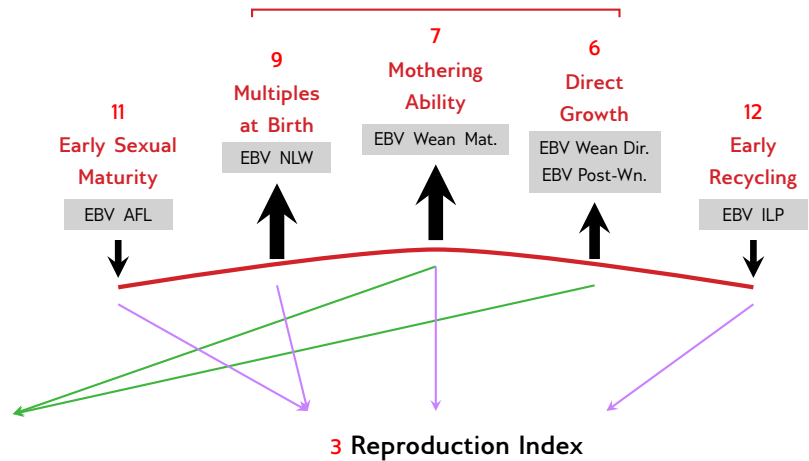
A total merit index for the breed for selection of balanced, profitable animals in both growth and reproduction.

2 Growth Index

Selection for:

- Fast growth potential
- Good maternal ability
- Heavy lambs at weaning
- Early market-readiness

Total Weight Weaned (10)



3 Reproduction Index

Selection for:

- Early sexual maturity
- Regular pregnancies
- Multiples at birth
- Good mothering ability
- Heavy lambs at weaning

GENETIC VALUES - BUILDING BLOCKS

Growth			Reproduction			
Wn. Dir.	Wean Mat.	Post-Wn.	NLW	TWW	AFL	ILP
108	99	102	115	102	134	110
64%	45%	51%	52%	45%	36%	40%
6	7	8	9	10	11	12

The Logix Selection Indices are compiled of specific genetic building blocks, as indicated in the selection index descriptions above. These genetic building blocks are indicated in the catalogue by their Breeding Value indices and accuracies.

PHENOTYPIC VALUES

Birth Weight	Wean Weight	Post-Wean Weight	Mature Weight
4kg	20.5kg (80)	55.4kg (100)	88.5kg

Weights and phenotypic index as obtained within the animal's contemporary group

GROWTH TEST RESULTS

ADG Index	FCR Index	Scrotal Circumference
113	101	37mm

ADG en FCR index, and scrotal circumference, in mm, as measured during and at the end of the growth test

LOT 1 (M)



LEEUEWKOP DORMERS



Rouxville, Free State
0710440838
charleschurch89@icloud.com

J 240110

LEEUEWKOP RAM J 240110

Herd Book	SP
Birth date	2024-06-24
Age	1.7 years
Inbreeding	8.24%
Birth Stat.	2
Progeny	
None	



J 220126 (1)
LEEUEWKOP RAM J 220126

Parentage Sire Dam
DNA
Genomic

J 210173 (2)
LEEUEWKOP OOI J 210173
AFL 23.9 | ILP 359 | EPI 104
Lambded 3 | Lams 4 | Weaned 4

JB 200090
JOHANRI RAM JB200090

J 180042
LEEUEWKOP EWE J180042
AFL 24.1 | ILP 365 | EPI 96
Lambded 4 | Lams 5 | Weaned 5

J 170069
LEEUEWKOP RAM J 170069

J 150114
LEEUEWKOP OOI J 150114
AFL 23.9 | ILP 366 | EPI 131
Lambded 6 | Lams 11 | Weaned 10

JOHANRI KETTING
JOHANRI EWE JB160103
AFL 18.1 | ILP 348 | EPI 135
Lambded 7 | Lams 15 | Weaned 15

LEEUEWKOP RAM J 150254
LEEUEWKOP OOI J 150076
AFL 24.6 | ILP 341 | EPI 91
Lambded 2 | Lams 4 | Weaned 4

DROERIVIER RAM DZ 140017
LEEUEWKOP OOI J 150236
AFL 23.8 | ILP 378 | EPI 102
Lambded 5 | Lams 9 | Weaned 6

LEEUEWKOP RAM J 130175
LEEUEWKOP OOI J 130237
AFL 23.8 | ILP 607 | EPI 94
Lambded 4 | Lams 5 | Weaned 5

Growth			Reproduction			
Wn. Dir.	Wean Mat.	Post-Wn.	NLW	TWW	AFL	ILP
111	94	110	92	99	93	98
61%	46%	22%	34%	49%	30%	25%

Logix Merit Index	104
Growth Index	112
Reproduction Index	93

Birth Wt.	4kg
Wean Wt.	40.2kg (113)
Post-Wean	-
Mature Wt.	-
ADG Ind.	-
FCR Ind.	-
Scrotum	-



EBV Analysis 2026-02-21

SELLER REMARKS:

LOT 2 (M)



LEEUEWKOP DORMERS



Rouxville, Free State
0710440838
charleschurch89@icloud.com

J 240007

LEEUEWKOP RAM J 240007

Herd Book	SP
Birth date	2024-06-18
Age	1.7 years
Inbreeding	5.75%
Birth Stat.	2
Progeny	
None	



JB 210188 (2)
JOHANRI RAM JB210188 STORM

Parentage Sire Dam
DNA
Genomic

J 190024 (2)
LEEUEWKOP EWE J190024
AFL 25.1 | ILP 362 | EPI 138
Lambded 5 | Lams 13 | Weaned 13

JB 200092
JOHANRI ANKER

BR 130209
BENDRI OOI BR130209
AFL 23.1 | ILP 435 | EPI 165
Lambded 6 | Lams 12 | Weaned 10

J 150133
LEEUEWKOP RAM J150133

J 130020
LEEUEWKOP EWE J130020
AFL 24.7 | ILP 357 | EPI 117
Lambded 5 | Lams 9 | Weaned 9

JOHANRI KETTING
JOHANRI EWE JB180015
AFL 23.3 | ILP - | EPI 92
Lambded 1 | Lams 3 | Weaned 3

RHENOSTERBOSRUG RAM AP 100097
KINKO OOI JS 080578
AFL 25.6 | ILP 367 | EPI 103
Lambded 6 | Lams 6 | Weaned 5

JOHANRI RAM JB 110054
LEEUEWKOP OOI J 100075
AFL 24 | ILP 365 | EPI 89
Lambded 4 | Lams 4 | Weaned 3

JABUWY RAM K 110158
LEEUEWKOP OOI J 100060
AFL 24.3 | ILP 351 | EPI 90
Lambded 2 | Lams 3 | Weaned 3

Growth			Reproduction			
Wn. Dir.	Wean Mat.	Post-Wn.	NLW	TWW	AFL	ILP
105	78	99	128	115	90	97
64%	55%	42%	39%	55%	39%	25%

Logix Merit Index	111
Growth Index	97
Reproduction Index	110

Birth Wt.	4kg
Wean Wt.	35kg (99)
Post-Wean	-
Mature Wt.	-
ADG Ind.	-
FCR Ind.	-
Scrotum	-



EBV Analysis 2026-02-21

SELLER REMARKS: Vaar se vaar nie geverifieer nie.

LOT 3 (M)



HEYMAN DORMERS

Koffiefontein, Free State
0641089587
dirkheyman199511@gmail.com

DH 240114

DH TAFELKOP RAM DH240114

Herd Book	SP
Birth date	2024-07-30
Age	1.6 years
Inbreeding	5.57%
Birth Stat.	2
Progeny	
None	



JB 220110 (2)
JOHANRI RAM JB220110

Parentage Sire Dam
DNA
Genomic

GMO 160010 (1)
AVOCA EWE GMO160010
AFL 16.8 | ILP 358 | EPI 134
Lambded 8 | Lams 14 | Weaned 13

JB 200072
JOHANRI RAM JB200072

J 190033
JOHANRI EWE JB190033
AFL - | ILP - | EPI 96
Lambded 5 | Lams 6 | Weaned 5

DZ 100045
DROERIVIER RAM DZ 100045

GMO 130044
AVOCA EWE GMO130044
AFL 21.9 | ILP 331 | EPI 83
Lambded 2 | Lams 3 | Weaned 2

JOHANRI RAM JB180064
JOHANRI EWE JB180078
AFL 22.2 | ILP 365 | EPI 90
Lambded 4 | Lams 5 | Weaned 5

JOHANRI RAM JB160174
JOHANRI EWE JB170026
AFL 15.5 | ILP 353 | EPI 89
Lambded 2 | Lams 4 | Weaned 4

J.O.R RAM JOR 080277
DROERIVIER OOI DZ04058
AFL 15.4 | ILP 327 | EPI 175
Lambded 7 | Lams 13 | Weaned 13

AVOCA RAM GMO120002
EVERSAR OOI CN 070053
AFL 18.3 | ILP 581 | EPI 88
Lambded 4 | Lams 4 | Weaned 3

Growth			Reproduction			
Wn. Dir.	Wean Mat.	Post-Wn.	NLW	TWW	AFL	ILP
102	97	98	87	91	108	88
60%	50%	33%	40%	52%	35%	29%

Logix Merit Index	97
Growth Index	103
Reproduction Index	93

Birth Wt.	4.7kg
Wean Wt.	46kg (109)
Post-Wean	-
Mature Wt.	-
ADG Ind.	-
FCR Ind.	-
Scrotum	-



EBV Analysis 2026-02-21

SELLER REMARKS: In stoet gebruik , Bar One klein seun op n direkte dogter van Dikpiet. Ram met baie goeie houding. Potensiële kuddevaar

LOT 4 (M)



HEYMAN DORMERS
Koffiefontein, Free State
0641089587
dirkheyman199511@gmail.com



DH 240123

DH TAFELKOP RAM DH240123

Kuddeboek	SP
Geb. dtm	2024-07-31
Oud.	1.6 jaar
Inteling	6.08%
Geb. Status	1
Nageslag	
Geen	

JB 200092 (3)
JOHANRI ANKER

Ouerskap Vaar Moer
DNS
Genomies

DH 200063 (2)
DH TAFELKOP EWE DH200063
OEL 15 | ILP 330 | OPI 102
Gelam 4 | Lammers 5 | Gespeen 4

JB 180116
JOHANRI KETTING

JB 180015
JOHANRI EWE JB180015
OEL 23.3 | ILP - | OPI 92
Gelam 1 | Lammers 3 | Gespeen 3

NH 180009
RENOSTERVALLEI RAM NH180009

GH 150012
MERTOUN OOI GH 150012
OEL 23.5 | ILP 362 | OPI 171
Gelam 8 | Lammers 11 | Gespeen 11

REMKUIL RAM JT 160062

JOHANRI OOI JB 130067
OEL - | ILP - | OPI 132
Gelam 16 | Lammers 11 | Gespeen 11

REMKUIL RAM JB 160062

JOHANRI OOI JB 120160
OEL - | ILP - | OPI 161
Gelam 11 | Lammers 6 | Gespeen 15

JOHANRI BARNARD
RENOSTERVALLEI EWE NH140007
OEL 25.2 | ILP 494 | OPI 116
Gelam 3 | Lammers 6 | Gespeen 6

JOHANRI RAM JB 080180

2BROERS OOI T 130051
OEL 26.8 | ILP 356 | OPI 96
Gelam 3 | Lammers 6 | Gespeen 6

Groeï			Reproduksie			
Spn. Dir.	Spn. Mat.	Na-Spn.	GLS	TWW	OEL	ILP
104	103	102	84	92	72	83
63%	56%	40%	45%	56%	43%	33%

Logix Meriete Indeks 92

Groeï Indeks 109

Reproduksie Indeks 84

Geb. Gew.	4.9kg
Speen Gew.	51.7kg (123)
Na-Speen	-
Volw. Gew.	-
GDT Ind.	-
VOV Ind.	-
Skrotum	-

LOGIX
GENETICS CENTRE
EBV Analise 2026-02-21

VERKOPER OPMERKINGS: In stoet gebruik, Anker seun op n Barnard klein dogter wat baie goed teel in stoet. Ram met baie lengte. Potensiële kuddevaar

LOT 5 (M)



J.L. DU RANDT
Elliot, Eastern Cape
0848808920
juandurandt12@gmail.com



MS 240090

MOUNTAIN SHADOWS RAM MS 240090

Kuddeboek	SP
Geb. dtm	2024-09-18
Oud.	1.5 jaar
Inteling	4.79%
Geb. Status	2
Nageslag	
Geen	

J 200207 (2)
LEEUWKOP RAM J 200207

Ouerskap Vaar Moer
DNS
Genomies

GMO 160005 (1)
AVOCA EWE GMO160005
OEL 16.8 | ILP 426 | OPI 124
Gelam 7 | Lammers 13 | Gespeen 12

J 170069

LEEUWKOP RAM J 170069

J 180132

LEEUWKOP EWE J180132
OEL 24.6 | ILP 361 | OPI 92
Gelam 3 | Lammers 6 | Gespeen 5

DZ 100045

DROERIVIER RAM DZ 100045

GMO 130056

AVOCA EWE GMO130056
OEL 20.4 | ILP 405 | OPI 98
Gelam 3 | Lammers 4 | Gespeen 4

DROERIVIER RAM DZ 140017

LEEUWKOP OOI J 150236
OEL 23.8 | ILP 378 | OPI 102
Gelam 5 | Lammers 9 | Gespeen 6

LEEUWKOP RAM J 150254

LEEUWKOP EWE J130030
OEL 24 | ILP 366 | OPI 111
Gelam 4 | Lammers 9 | Gespeen 9

J.O.R RAM JOR 080277

DROERIVIER OOI DZ04058
OEL 15.4 | ILP 327 | OPI 175
Gelam 7 | Lammers 13 | Gespeen 13

HELDERHOEK RAM VE 110015

AVOCA EWE GMO 110020
OEL 15.8 | ILP 376 | OPI 108
Gelam 7 | Lammers 9 | Gespeen 8

Groeï			Reproduksie			
Spn. Dir.	Spn. Mat.	Na-Spn.	GLS	TWW	OEL	ILP
113	104	112	101	111	110	94
65%	54%	33%	42%	55%	39%	31%

Logix Meriete Indeks 118

Groeï Indeks 119

Reproduksie Indeks 111

Geb. Gew.	4kg
Speen Gew.	46.9kg (142)
Na-Speen	-
Volw. Gew.	-
GDT Ind.	-
VOV Ind.	-
Skrotum	-

LOGIX
GENETICS CENTRE
EBV Analise 2026-02-21

VERKOPER OPMERKINGS: Doring seun met baie goeie syfers en bouvorm. Kom uit n lyn wat teel. Covexin 10, Rev 1, Blue Tongue, Anthrax, Multivax P Plus

LOT 6 (M)



dormer



J.L. DU RANDT



Elliot, Eastern Cape
0848808920
juandurandt12@gmail.com

JB 230057

JOHANRI RAM JB230057

. Kудdeboek	SP
Geb. dtm	2023-07-14
Oud.	2.7 jaar
Inteling	3.95%
Geb. Status	2

Nageslag	
In Kudde	34
Totaal	34
Kuddes Gebruik	1

D 200126 (2)
BES RAM D200126

Ouerskap Vaar Moer

DNS
Genomies

JB 180060 (1)
JOHANRI EWE JB180060
OEL 22.1 | ILP 354 | OPI 104
Gelam 6 | Lammers 10 | Gespeen 8

JOR 180020
J.O.R RAM JOR 180020

J.O.R RAM JOR 160035
J.O.R OOI JOR 130277
OEL 20.7 | ILP 329 | OPI 106
Gelam 4 | Lammers 4 | Gespeen 4

D 130014
BES OOI D 130014
OEL 16.3 | ILP 376 | OPI 301
Gelam 10 | Lammers 23 | Gespeen 21

RHENOSTERBOSRUG RAM AP 080018
REMKUIL OOI JT 070376
OEL 28.8 | ILP 473 | OPI 118
Gelam 5 | Lammers 7 | Gespeen 5

JB 160083
JOHANRI RAM JB160083

JOHANRI RAM JB 140174
JOHANRI OOI JB 120196
OEL - | ILP - | OPI 127
Gelam 11 | Lammers 11 | Gespeen 8

JB 130066
JOHANRI OOI JB 130066
OEL - | ILP - | OPI 100
Gelam 11 | Lammers 10 | Gespeen 8

JOHANRI RAM JB 090007
JOHANRI OOI JB 080115
OEL 20 | ILP 309 | OPI 135
Gelam 7 | Lammers 12 | Gespeen 10

Groei			Reproduksie			
Spn. Dir.	Spn. Mat.	Na-Spn.	GLS	TWW	OEL	ILP
95	98	86	86	85	74	108
64%	55%	45%	43%	56%	39%	29%

LOGIX
GENOMICS CHINA
EBV Analise 2026-02-21

Logix Meriete Indeks	85
Groei Indeks	96
Reproduksie Indeks	83

Geb. Gew.	4kg
Speen Gew.	51.5kg (99)
Na-Speen	-
Volw. Gew.	-
GDT Ind.	-
VOV Ind.	-
Skrotum	-

VERKOPER OPMERKINGS: Mosco beproefde kuddevaar. Covexin 10, Rev 1, Blue Tongue, Anthrax, Multivax P Plus

LOT 7 (M)



VREDESIG FORBES



Darling, Western Cape
0825442336
wijforbes@gmail.com

JB 230063

JOHANRI RAM JB230063 TESLA

dormer



Herd Book	SP
Birth date	2023-07-13
Age	2.7 years
Inbreeding	10.17%
Birth Stat.	2

Progeny	
In Herd	21
Total	25
Herds Used	4

♀ **JB 210161 (2)**
JOHANRI RAM JB210161

Parentage Sire Dam

DNA	
Genomic	✓

JB 200110 (2)
JOHANRI EWE JB200110
AFL 24.1 | ILP 352 | EPI 94
Lambded 2 | Lambs 4 | Weaned 4

♂ **JH 180144**
KAIROS RAM JH180144

JB 180018
JOHANRI EWE JB180018
AFL 23.2 | ILP 368 | EPI 101
Lambded 6 | Lambs 11 | Weaned 9

JB 180098
JOHANRI EWE JB180098
AFL 22.4 | ILP 367 | EPI 114
Lambded 5 | Lambs 10 | Weaned 10

JOHANRI RAM JB150119
KAIROS OOI JH 140098
AFL - | ILP - | EPI 108
Lambded 10 | Lambs 7 | Weaned 7

♀ **REMKUIL RAM JT 160062**
JOHANRI EWE JB170027
AFL 15.7 | ILP 353 | EPI 87
Lambded 2 | Lambs 4 | Weaned 4

♀ **JOHANRI APOLLO**
JOHANRI OOI JB 130071
AFL - | ILP - | EPI 135
Lambded 16 | Lambs 13 | Weaned 12



SELLER REMARKS: Sha Na Na seun met goeie bouvorm. Self in die stoet gebruik. Entings; Rev 1, Blu Vax, Glenvac 3 en Multivax P- Plus

Growth			Reproduction			
Wn. Dir.	Wean Mat.	Post-Wn.	NLW	TWW	AFL	ILP
96	94	101	93	91	101	98
76%	52%	32%	37%	58%	37%	28%

Logix Merit Index	94
Growth Index	96
Reproduction Index	94

Birth Wt.	4kg
Wean Wt.	44.2kg (85)
Post-Wean	-
Mature Wt.	-
ADG Ind.	-
FCR Ind.	-
Scrotum	-

LOT 8 (M)



VREDESIG FORBES



Darling, Western Cape
0825442336
wijforbes@gmail.com

VS 240500

VREDESIG RAM VS 240500

dormer



Herd Book	SP
Birth date	2024-07-22
Age	1.6 years
Inbreeding	4.61%
Birth Stat.	2

Progeny	
In Herd	0
Total	1
Herds Used	1

D 200126 (2)
BES RAM D200126

Parentage Sire Dam

DNA	
Genomic	✓

JB 220035 (3)
JOHANRI EWE JB220035
AFL 24.2 | ILP 322 | EPI 106
Lambded 2 | Lambs 4 | Weaned 4

JOR 180020
J.O.R RAM JOR 180020

D 130014
BES OOI D 130014
AFL 16.3 | ILP 376 | EPI 301
Lambded 10 | Lambs 23 | Weaned 21

JB 200024
JOHANRI EWE JB200024
AFL 24.3 | ILP 363 | EPI 94
Lambded 2 | Lambs 5 | Weaned 4

J.O.R RAM JOR 160035
J.O.R OOI JOR 130277
AFL 20.7 | ILP 329 | EPI 106
Lambded 4 | Lambs 4 | Weaned 4

♀ **REMKUIL OOI JT 070376**
AFL 28.8 | ILP 473 | EPI 118
Lambded 5 | Lambs 7 | Weaned 5

♀ **JOHANRI KETTING**
JOHANRI EWE JB180018
AFL 23.2 | ILP 368 | EPI 101
Lambded 6 | Lambs 11 | Weaned 9



SELLER REMARKS: Wolf kleinseun met goeie bouvorm. Entings; Rev 1, Blu Vax, Glenvac 3 en Multivax P- Plus

Growth			Reproduction			
Wn. Dir.	Wean Mat.	Post-Wn.	NLW	TWW	AFL	ILP
104	89	100	89	91	70	99
62%	51%	50%	38%	52%	37%	27%

Logix Merit Index	90
Growth Index	102
Reproduction Index	80

Birth Wt.	3kg
Wean Wt.	38.9kg (104)
Post-Wean	70.6kg (97)
Mature Wt.	-
ADG Ind.	-
FCR Ind.	-
Scrotum	-

LOT 9 (M)



LEEUKWOP DORMERS



Rouxville, Free State
0710440838
charleschurch89@icloud.com

J 240118

LEEUKWOP RAM J 240118

dormer



Herd Book	SP
Birth date	2024-06-25
Age	1.7 years
Inbreeding	4.12%
Birth Stat.	2

Progeny	
None	

D 200126 (2)
BES RAM D200126

Parentage Sire Dam

DNA	
Genomic	✓

J 220045 (2)
LEEUKWOP OOI J 220045
AFL 23.6 | ILP 382 | EPI 99
Lambded 2 | Lambs 3 | Weaned 3

JOR 180020
J.O.R RAM JOR 180020

D 130014
BES OOI D 130014
AFL 16.3 | ILP 376 | EPI 301
Lambded 10 | Lambs 23 | Weaned 21

J 190133
LEEUKWOP EWE J190133
AFL 24.6 | ILP 367 | EPI 94
Lambded 5 | Lambs 6 | Weaned 5

J.O.R RAM JOR 160035
J.O.R OOI JOR 130277
AFL 20.7 | ILP 329 | EPI 106
Lambded 4 | Lambs 4 | Weaned 4

♀ **REMKUIL OOI JT 070376**
AFL 28.8 | ILP 473 | EPI 118
Lambded 5 | Lambs 7 | Weaned 5

♀ **JOHANRI APOLLO**
LEEUKWOP OOI J 150088
AFL 24 | ILP 372 | EPI 110
Lambded 4 | Lambs 8 | Weaned 8



SELLER REMARKS:

Growth			Reproduction			
Wn. Dir.	Wean Mat.	Post-Wn.	NLW	TWW	AFL	ILP
99	81	94	101	93	64	102
61%	51%	40%	38%	52%	37%	27%

Logix Merit Index	87
Growth Index	91
Reproduction Index	83

Birth Wt.	4kg
Wean Wt.	34.4kg (97)
Post-Wean	-
Mature Wt.	-
ADG Ind.	-
FCR Ind.	-
Scrotum	-

LOT 10 (M)



LEEUKWOP DORMERS



Rouxville, Free State

0710440838

charleschurch89@icloud.com

J 240135

LEEUKWOP RAM J 240135

Kuddeboek	SP
Geb. dtm	2024-06-26
Oud.	1.7 jaar
Inteling	7.69%
Geb. Status	1
Nageslag	
Geen	



dormer

J 220126 (1)
LEEUKWOP RAM J 220126

Ouerskap Vaar Moer
DNS
Genomies

J 220200 (1)
LEEUKWOP OOI J 220200
OEL 23.4 | ILP 370 | OPI 101
Gelam 2 | Lammers 3 | Gespeen 3

JB 200090
JOHANRI RAM JB200090
JOHANRI EWE JB160103
OEL 18.1 | ILP 348 | OPI 135
Gelam 7 | Lammers 15 | Gespeen 15

J 180042
LEEUKWOP EWE J180042
OEL 24.1 | ILP 365 | OPI 96
Gelam 4 | Lammers 5 | Gespeen 5

J 200127
LEEUKWOP RAM J 200127
LEEUKWOP EWE J180053
OEL 24.4 | ILP 384 | OPI 109
Gelam 5 | Lammers 7 | Gespeen 7

J 200052
LEEUKWOP OOI J 200052
OEL 24.3 | ILP 357 | OPI 103
Gelam 3 | Lammers 6 | Gespeen 6



EBV Analise 2026-02-21

Groeï			Reproduksie			
Spn. Dir.	Spn. Mat.	Na-Spn.	GLS	TWW	OEL	ILP
98	89	98	100	94	110	97
60%	43%	19%	30%	47%	27%	22%

Logix Meriete Indeks	98
Groeï Indeks	95
Reproduksie Indeks	99

Geb. Gew.	5kg
Speen Gew.	41.3kg (116)
Na-Speen	-
Volw. Gew.	-
GDT Ind.	-
VOV Ind.	-
Skrotum	-

VERKOPER OPMERKINGS:

LOT 11 (M)



HEYMAN DORMERS

Koffiefontein, Free State

0641089587

dirkheyman199511@gmail.com

DH 240171

DH TAFELKOP RAM DH240171

Kuddeboek	SP
Geb. dtm	2024-08-04
Oud.	1.6 jaar
Inteling	4.39%
Geb. Status	1
Nageslag	
Geen	



dormer

DH 230031 (1)
DH TAFELKOP RAM DH230031

Ouerskap Vaar Moer
DNS
Genomies

DH 220038 (2)
DH TAFELKOP EWE DH220038
OEL 16 | ILP 365 | OPI 111
Gelam 3 | Lammers 4 | Gespeen 4

JB 200036
JOHANRI JUNIOR
JOHANRI RAM JB180064
JOHANRI EWE JB180095
OEL 22 | ILP 366 | OPI 99
Gelam 4 | Lammers 9 | Gespeen 8

DH 200062
DH TAFELKOP EWE DH200062
OEL 15 | ILP 417 | OPI 120
Gelam 4 | Lammers 8 | Gespeen 7

DZ 170116
DROERIVIER RAM DZ 170116
DROERIVIER OOI DZ 140210
OEL 14.5 | ILP 323 | OPI 93
Gelam 5 | Lammers 9 | Gespeen 9

JP 190017
WELPIC EWE JP190017
OEL 24.9 | ILP 421 | OPI 112
Gelam 3 | Lammers 6 | Gespeen 6



EBV Analise 2026-02-21

Groeï			Reproduksie			
Spn. Dir.	Spn. Mat.	Na-Spn.	GLS	TWW	OEL	ILP
89	98	90	91	85	103	93
56%	45%	27%	35%	47%	32%	26%

Logix Meriete Indeks	87
Groeï Indeks	89
Reproduksie Indeks	93

Geb. Gew.	5kg
Speen Gew.	41kg (97)
Na-Speen	-
Volw. Gew.	-
GDT Ind.	-
VOV Ind.	-
Skrotum	-

VERKOPER OPMERKINGS: Sprocket seun , ram wat baie vleis dra.

LOT 12 (M)



HEYMAN DORMERS

Koffiefontein, Free State

0641089587

dirkheyman199511@gmail.com

DH 240048

DH TAFELKOP RAM DH240048

Kuddeboek	SP
Geb. dtm	2024-07-29
Oud.	1.6 jaar
Inteling	7.08%
Geb. Status	3
Nageslag	
Geen	



dormer

JB 220110 (2)
JOHANRI RAM JB220110

Ouerskap Vaar Moer
DNS
Genomies

J 200063 (2)
LEEUKWOP OOI J 200063
OEL 24.4 | ILP 403 | OPI 102
Gelam 4 | Lammers 7 | Gespeen 6

JB 200072
JOHANRI RAM JB200072
JOHANRI EWE JB180078
OEL 22.2 | ILP 365 | OPI 90
Gelam 4 | Lammers 5 | Gespeen 5

JB 190033
JOHANRI EWE JB190033
OEL - | ILP - | OPI 96
Gelam 5 | Lammers 6 | Gespeen 5

J 180003
LEEUKWOP RAM J180003
LEEUKWOP OOI J 160133
OEL 23.8 | ILP 395 | OPI 110
Gelam 4 | Lammers 7 | Gespeen 6

J 180209
LEEUKWOP EWE J180209
OEL 23.5 | ILP 397 | OPI 101
Gelam 4 | Lammers 7 | Gespeen 7



EBV Analise 2026-02-21

Groeï			Reproduksie			
Spn. Dir.	Spn. Mat.	Na-Spn.	GLS	TWW	OEL	ILP
103	88	100	90	90	129	86
58%	46%	26%	32%	47%	30%	21%

Logix Meriete Indeks	100
Groeï Indeks	100
Reproduksie Indeks	96

Geb. Gew.	2.9kg
Speen Gew.	40.6kg (96)
Na-Speen	-
Volw. Gew.	-
GDT Ind.	-
VOV Ind.	-
Skrotum	-

VERKOPER OPMERKINGS: Bar One klein-seun , een van n 3ling. Robuuste ram

LOT 13 (M)



J.L. DU RANDT

Elliot, Eastern Cape
0848808920
juandurandt12@gmail.com

MS 240067

MOUNTAIN SHADOWS RAM MS 240067

Herd Book	SP
Birth date	2024-09-12
Age	1.5 years
Inbreeding	5.28%
Birth Stat.	2
Progeny	None



♂ J 200207 (2)
LEEUEWKOP RAM J 200207

Parentage Sire Dam
DNA
Genomic

MS 190080 (2)
MOUNTAIN SHADOWS EWE MS190080
AFL 12.6 | ILP 280 | EPI 125
Lambd 7 | Lams 10 | Weaned 9

J 170069
LEEUEWKOP RAM J 170069

J 180132
LEEUEWKOP EWE J180132
AFL 24.6 | ILP 361 | EPI 92
Lambd 3 | Lams 6 | Weaned 5

MS 180005
MOUNTAIN SHADOWS RAM MS 180005

T 120053
2BROERS OOI T 120053
AFL 15 | ILP 307 | EPI 149
Lambd 10 | Lams 14 | Weaned 14

DROERIVIER RAM DZ 140017
LEEUEWKOP OOI J 150236
AFL 23.8 | ILP 378 | EPI 102
Lambd 5 | Lams 9 | Weaned 6

LEEUEWKOP RAM J 150254
LEEUEWKOP EWE J130030
AFL 24 | ILP 366 | EPI 111
Lambd 4 | Lams 9 | Weaned 9

JOHANRI RAM JB160100
AVOCA EWE GMO 150061
AFL 24.5 | ILP 251 | EPI 90
Lambd 3 | Lams 4 | Weaned 4

2BROERS RAM T 100177
LEEUEWKOP OOI J 070239
AFL 27.2 | ILP 338 | EPI 127
Lambd 5 | Lams 9 | Weaned 6

Growth			Reproduction			
Wn. Dir.	Wean Mat.	Post-Wn.	NLW	TWW	AFL	ILP
105	90	101	108	105	110	103
62%	52%	19%	38%	53%	33%	25%

Logix Merit Index **110**

Growth Index **103**

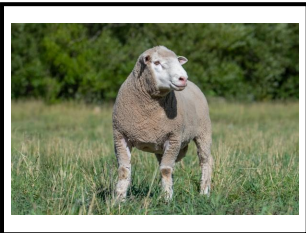
Reproduction Index **108**

Birth Wt.	4kg
Wean Wt.	38.6kg (117)
Post-Wean	-
Mature Wt.	-
ADG Ind.	-
FCR Ind.	-
Scrotum	-

LOGIX
GENETICS
EBV Analysis 2026-02-21

SELLER REMARKS: Doring seun met goeie syfers. Covexin 10, Rev 1, Blue Tongue, Anthrax, Multivax P Plus

LOT 14 (M)



J.L. DU RANDT

Elliot, Eastern Cape
0848808920
juandurandt12@gmail.com

MS 240082

MOUNTAIN SHADOWS RAM MS 240082

Herd Book	SP
Birth date	2024-09-13
Age	1.5 years
Inbreeding	5.87%
Birth Stat.	1
Progeny	None



♂ J 200207 (2)
LEEUEWKOP RAM J 200207

Parentage Sire Dam
DNA
Genomic

MS 210070 (1)
MOUNTAIN SHADOWS EWE MS210070
AFL 14.7 | ILP 321 | EPI 115
Lambd 4 | Lams 6 | Weaned 5

J 170069
LEEUEWKOP RAM J 170069

J 180132
LEEUEWKOP EWE J180132
AFL 24.6 | ILP 361 | EPI 92
Lambd 3 | Lams 6 | Weaned 5

DZ 190080
DROERIVIER RAM DZ 190080

MS 190079
MOUNTAIN SHADOWS RAM MS 180005
MOUNTAIN SHADOWS EWE MS190079
AFL 12.8 | ILP 385 | EPI 92
Lambd 3 | Lams 5 | Weaned 4

DROERIVIER RAM DZ 140017
LEEUEWKOP OOI J 150236
AFL 23.8 | ILP 378 | EPI 102
Lambd 5 | Lams 9 | Weaned 6

LEEUEWKOP RAM J 150254
LEEUEWKOP EWE J130030
AFL 24 | ILP 366 | EPI 111
Lambd 4 | Lams 9 | Weaned 9

WELPIC RAM JP170020
DROERIVIER OOI DZ 140103
AFL 17 | ILP 407 | EPI 120
Lambd 8 | Lams 12 | Weaned 12

MOUNTAIN SHADOWS RAM MS 180005
MOUNTAIN SHADOWS EWE MS180022
AFL 14.9 | ILP 293 | EPI 92
Lambd 5 | Lams 6 | Weaned 5

Growth			Reproduction			
Wn. Dir.	Wean Mat.	Post-Wn.	NLW	TWW	AFL	ILP
106	92	103	112	110	107	99
61%	49%	19%	36%	51%	31%	24%

Logix Merit Index **112**

Growth Index **105**

Reproduction Index **111**

Birth Wt.	5kg
Wean Wt.	40.1kg (121)
Post-Wean	-
Mature Wt.	-
ADG Ind.	-
FCR Ind.	-
Scrotum	-

LOGIX
GENETICS
EBV Analysis 2026-02-21

SELLER REMARKS: Doring seun. Covexin 10, Rev 1, Blue Tongue, Anthrax, Multivax P Plus

LOT 15 (M)



VREDESIG FORBES

Darling, Western Cape
0825442336
wijfforbes@gmail.com

VS 240388

VREDESIG RAM VS 240388

Herd Book	SP
Birth date	2024-05-30
Age	1.8 years
Inbreeding	13.48%
Birth Stat.	2
Progeny	None



♂ DZ 210225 (2)
DROERIVIER TYSON

Parentage Sire Dam
DNA
Genomic

DZ 200412 (1)
DROERIVIER OOI DZ 200412
AFL 23.2 | ILP 293 | EPI 104
Lambd 4 | Lams 6 | Weaned 6

DZ 190389
DROERIVIER PAYBACK

DZ 170154
DROERIVIER OOI DZ 170154
AFL 23.8 | ILP 301 | EPI 125
Lambd 7 | Lams 12 | Weaned 11

JB 160084
JOHANRI APOLLO

DZ 190186
DROERIVIER OOI DZ 190186
AFL 16.4 | ILP 227 | EPI 92
Lambd 2 | Lams 4 | Weaned 4

JOHANRI APOLLO
DROERIVIER OOI DZ 150162
AFL 19.9 | ILP 402 | EPI 124
Lambd 6 | Lams 11 | Weaned 11

DROERIVIER RAM DZ 110115
DROERIVIER OOI DZ 120194
AFL 16.2 | ILP 260 | EPI 147
Lambd 8 | Lams 13 | Weaned 13

JOHANRI RAM JB 140174
JOHANRI OOI JB 120196
AFL - | ILP - | EPI 127
Lambd 11 | Lams 11 | Weaned 8

DROERIVIER RAM DZ 170116
DROERIVIER OOI DZ 170148
AFL 15.6 | ILP 726 | EPI 115
Lambd 7 | Lams 11 | Weaned 11

Growth			Reproduction			
Wn. Dir.	Wean Mat.	Post-Wn.	NLW	TWW	AFL	ILP
101	102	94	102	103	109	105
64%	56%	58%	45%	57%	45%	34%

Logix Merit Index **108**

Growth Index **105**

Reproduction Index **109**

Birth Wt.	3kg
Wean Wt.	35.3kg (92)
Post-Wean	81.8kg (96)
Mature Wt.	-
ADG Ind.	-
FCR Ind.	-
Scrotum	-

LOGIX
GENETICS
EBV Analysis 2026-02-21

SELLER REMARKS: Tyson seun, vanuit baie vrugbare moeder. Entings; Rev 1, Blu Vax, Glenvac 3 en Multivax P- Plus

LOT 16 (M)



VS 240404

VREDESIG RAM VS 240404

Kuddeboek	SP
Geb. dtm	2024-07-08
Oud.	1.7 jaar
Inteling	6.05%
Geb. Status	2
Nageslag	
Geen	

VREDESIG FORBES



Darling, Western Cape
0825442336
wijforbes@gmail.com

JB 230079 (1)
JOHANRI RAM JB230079

Ouerskap Vaar Moer
DNS
Genomies

JB 210142 (2)
JOHANRI EWE JB210142
OEL 23.8 | ILP 394 | OPI 104
Gelam 3 | Lammers 5 | Gespeen 5

D 200126
BES RAM D200126

JB 180082
JOHANRI EWE JB180082
OEL - | ILP - | OPI 111
Gelam 6 | Lammers 9 | Gespeen 9

J 190042
LEEUEWKOP RAM J190042

JB 180038
JOHANRI EWE JB180038
OEL 22.3 | ILP 383 | OPI 110
Gelam 5 | Lammers 12 | Gespeen 12

J.O.R RAM JOR 180020

BES OOI D 130014
OEL 16.3 | ILP 376 | OPI 301
Gelam 10 | Lammers 23 | Gespeen 21

REMKUIL RAM JT 160062
JOHANRI OOI JB 130067
OEL - | ILP - | OPI 132
Gelam 16 | Lammers 11 | Gespeen 11

JOHANRI RAM JB160040
LEEUEWKOP OOI J 150138
OEL 24.2 | ILP 364 | OPI 93
Gelam 4 | Lammers 5 | Gespeen 4

JOHANRI RAM JB160174

JOHANRI EWE JB170029
OEL 16.6 | ILP 310 | OPI 88
Gelam 2 | Lammers 3 | Gespeen 3

Groeï			Reproduksie			
Spn. Dir.	Spn. Mat.	Na-Spn.	GLS	TWW	OEL	ILP
105	99	106	87	94	99	92
57%	44%	42%	32%	46%	29%	23%

Logix Meriete Indeks	99
Groeï Indeks	108
Reproduksie Indeks	93

Geb. Gew.	3kg
Speen Gew.	34.9kg (93)
Na-Speen	86.9kg (102)
Volw. Gew.	-
GDT Ind.	-
VOV Ind.	-
Skrotum	-

LOGIX
ANALISE
EBV Analise 2026-02-21

VERKOPER OPMERKINGS: Wolf kleinseun met goeie bouvorm. Entings; Rev 1, Blu Vax, Glenvac 3 en Multivax P- Plus

LOT 17 (M)



J 240034

LEEUEWKOP RAM J 240034

Kuddeboek	SP
Geb. dtm	2024-06-19
Oud.	1.7 jaar
Inteling	5.05%
Geb. Status	2
Nageslag	
Geen	

LEEUEWKOP DORMERS



Rouxville, Free State
0710440838
charleschurch89@icloud.com

JB 210188 (2)
JOHANRI RAM JB210188 STORM

Ouerskap Vaar Moer
DNS
Genomies

J 210185 (1)
LEEUEWKOP OOI J 210185
OEL 23.4 | ILP 368 | OPI 108
Gelam 3 | Lammers 6 | Gespeen 5

JB 200092
JOHANRI ANKER

BR 130209
BENDRI OOI BR130209
OEL 23.1 | ILP 435 | OPI 165
Gelam 6 | Lammers 12 | Gespeen 10

J 170069
LEEUEWKOP RAM J 170069

J 180042
LEEUEWKOP EWE J180042
OEL 24.1 | ILP 365 | OPI 96
Gelam 4 | Lammers 5 | Gespeen 5

JOHANRI KETTING

JOHANRI EWE JB180015
OEL 23.3 | ILP - | OPI 92
Gelam 1 | Lammers 3 | Gespeen 3

RHENOSTERBOSRUG RAM AP 100097
KINKO OOI JS 080578
OEL 25.6 | ILP 367 | OPI 103
Gelam 4 | Lammers 6 | Gespeen 5

DROERIVIER RAM DZ 140017
LEEUEWKOP OOI J 150236
OEL 23.8 | ILP 378 | OPI 102
Gelam 5 | Lammers 9 | Gespeen 6

LEEUEWKOP RAM J 150254
LEEUEWKOP OOI J 150076
OEL 24.6 | ILP 341 | OPI 91
Gelam 2 | Lammers 4 | Gespeen 4

Groeï			Reproduksie			
Spn. Dir.	Spn. Mat.	Na-Spn.	GLS	TWW	OEL	ILP
110	86	102	100	101	112	96
63%	54%	41%	38%	54%	39%	25%

Logix Meriete Indeks	108
Groeï Indeks	106
Reproduksie Indeks	100

Geb. Gew.	5kg
Speen Gew.	33.5kg (94)
Na-Speen	-
Volw. Gew.	-
GDT Ind.	-
VOV Ind.	-
Skrotum	-

LOGIX
ANALISE
EBV Analise 2026-02-21

VERKOPER OPMERKINGS: Vaar se vaar nie geverifieer nie.

LOT 18 (M)



J 240084

LEEUEWKOP RAM J 240084

Kuddeboek	SP
Geb. dtm	2024-06-22
Oud.	1.7 jaar
Inteling	17.41%
Geb. Status	1
Nageslag	
Geen	

LEEUEWKOP DORMERS



Rouxville, Free State
0710440838
charleschurch89@icloud.com

J 220126 (1)
LEEUEWKOP RAM J 220126

Ouerskap Vaar Moer
DNS
Genomies

J 220043 (2)
LEEUEWKOP OOI J 220043
OEL 23.5 | ILP 371 | OPI 107
Gelam 2 | Lammers 4 | Gespeen 4

JB 200090
JOHANRI RAM JB200090

J 180042
LEEUEWKOP EWE J180042
OEL 24.1 | ILP 365 | OPI 96
Gelam 4 | Lammers 5 | Gespeen 5

JB 200090
JOHANRI RAM JB200090

J 170260
LEEUEWKOP OOI J 170260
OEL 20.7 | ILP 372 | OPI 125
Gelam 7 | Lammers 13 | Gespeen 13

JOHANRI KETTING

JOHANRI EWE JB160103
OEL 18.1 | ILP 348 | OPI 135
Gelam 7 | Lammers 15 | Gespeen 15

LEEUEWKOP RAM J 150254
LEEUEWKOP OOI J 150076
OEL 24.6 | ILP 341 | OPI 91
Gelam 2 | Lammers 4 | Gespeen 4

JOHANRI KETTING
JOHANRI EWE JB160103
OEL 18.1 | ILP 348 | OPI 135
Gelam 7 | Lammers 15 | Gespeen 15

LEEUEWKOP RAM J150133
LEEUEWKOP OOI J 150279
OEL 26.7 | ILP 334 | OPI 148
Gelam 7 | Lammers 12 | Gespeen 12

Groeï			Reproduksie			
Spn. Dir.	Spn. Mat.	Na-Spn.	GLS	TWW	OEL	ILP
107	86	107	103	101	68	96
61%	46%	24%	33%	49%	30%	25%

Logix Meriete Indeks	97
Groeï Indeks	102
Reproduksie Indeks	89

Geb. Gew.	5kg
Speen Gew.	40.8kg (115)
Na-Speen	-
Volw. Gew.	-
GDT Ind.	-
VOV Ind.	-
Skrotum	-

LOGIX
ANALISE
EBV Analise 2026-02-21

VERKOPER OPMERKINGS:

LOT 19 (M)



HEYMAN DORMERS
Koffiefontein, Free State
0641089587
dirkheyman199511@gmail.com

DH 240126

DH TAFELKOP RAM DH240126

Herd Book	SP
Birth date	2024-07-31
Age	1.6 years
Inbreeding	5.64%
Birth Stat.	2
Progeny	
None	



♂ **JB 200092 (3)**
JOHANRI ANKER

Parentage Sire Dam
DNA
Genomic

GMO 180077 (2)
AVOCA EWE **GMO180077**
AFL 23.9 | ILP 360 | EPI 140
Lambded 6 | Lambs 10 | Weaned 10

♂ **JB 180116**
JOHANRI KETTING

JB 180015
JOHANRI EWE **JB180015**
AFL 23.3 | ILP - | EPI 92
Lambded 1 | Lambs 3 | Weaned 3

JP 150006
WELPIC RAM **JP150006**

GMO 160010
AVOCA EWE **GMO160010**
AFL 16.8 | ILP 358 | EPI 134
Lambded 8 | Lambs 14 | Weaned 13

♂ **REMKUIL RAM JT 160062**
JOHANRI OOI **JB 130067**
AFL - | ILP - | EPI 132
Lambded 16 | Lambs 11 | Weaned 11

♂ **REMKUIL RAM JT 160062**
JOHANRI OOI **JB 120160**
AFL - | ILP - | EPI 161
Lambded 11 | Lambs 16 | Weaned 15

JOHANRI RAM **JB 120113**
LEEUEWKOP OOI **J 080020**
AFL 36 | ILP 345 | EPI 159
Lambded 6 | Lambs 12 | Weaned 12

DROERIVIER RAM DZ 100045
AVOCA EWE **GMO130044**
AFL 21.9 | ILP 331 | EPI 83
Lambded 2 | Lambs 3 | Weaned 2

Growth			Reproduction			
Wn. Dir.	Wean Mat.	Post-Wn.	NLW	TWW	AFL	ILP
96	99	91	88	89	79	87
65%	58%	40%	47%	58%	44%	33%

Logix Merit Index	88
Growth Index	98
Reproduction Index	86

LOGIX
GENETICS CHINA
EBV Analysis 2026-02-21

SELLER REMARKS: Anker seun , ram met baie manlike kop

Birth Wt.	3.8kg
Wean Wt.	43.8kg (104)
Post-Wean	-
Mature Wt.	-
ADG Ind.	-
FCR Ind.	-
Scrotum	-

LOT 20 (M)



J.L. DU RANDT
Elliot, Eastern Cape
0848808920
juandurandt12@gmail.com

MS 240012

MOUNTAIN SHADOWS RAM MS240012

Herd Book	SP
Birth date	2024-05-06
Age	1.9 years
Inbreeding	4.96%
Birth Stat.	2
Progeny	
None	



SWH 210215 (1)
SWH RAM **SWH210215**

Parentage Sire Dam
DNA
Genomic

MS 170020 (1)
MOUNTAIN SHADOWS EWE **MS 170020**
AFL 19.9 | ILP 262 | EPI 108
Lambded 8 | Lambs 12 | Weaned 10

♂ **JH 180144**
KAIROS RAM **JH180144**

SWH 190027
SWH EWE **SWH190027**
AFL 29 | ILP - | EPI 88
Lambded 1 | Lambs 1 | Weaned 1

JP 150006
WELPIC RAM **JP150006**

GMO 150061
AVOCA EWE **GMO 150061**
AFL 24.5 | ILP 251 | EPI 90
Lambded 3 | Lambs 4 | Weaned 4

JOHANRI RAM **JB150119**
KAIROS OOI **JH 140098**
AFL - | ILP - | EPI 108
Lambded 10 | Lambs 7 | Weaned 7

JOHANRI RAM **JB160083**
SWH OOI **SWH 170493**
AFL 18.4 | ILP 455 | EPI 93
Lambded 3 | Lambs 4 | Weaned 4

JOHANRI RAM **JB 120113**
LEEUEWKOP OOI **J 080020**
AFL 36 | ILP 345 | EPI 159
Lambded 6 | Lambs 12 | Weaned 12

HELDERHOEK RAM VE 110015
AVOCA EWE **GMO130012**
AFL 14.9 | ILP 537 | EPI 99
Lambded 3 | Lambs 4 | Weaned 4

Growth			Reproduction			
Wn. Dir.	Wean Mat.	Post-Wn.	NLW	TWW	AFL	ILP
91	96	92	104	95	112	102
53%	47%	30%	37%	47%	31%	26%

Logix Merit Index	98
Growth Index	91
Reproduction Index	106

LOGIX
GENETICS CHINA
EBV Analysis 2026-02-21

SELLER REMARKS: Covexin 10, Rev 1, Blue Tongue, Anthrax, Multivax P Plus

Birth Wt.	4kg
Wean Wt.	39.6kg (100)
Post-Wean	-
Mature Wt.	-
ADG Ind.	-
FCR Ind.	-
Scrotum	-

LOT 21 (M)



J.L. DU RANDT
Elliot, Eastern Cape
0848808920
juandurandt12@gmail.com

MS 250022

MOUNTAIN SHADOWS RAM MS 250022

Herd Book	SP
Birth date	2025-04-24
Age	11 months
Inbreeding	6.28%
Birth Stat.	1
Progeny	
None	



♂ **JB 200091 (2)**
JOHANRI RAM **JB200091 SNIPER**

Parentage Sire Dam
DNA
Genomic

MS 190080 (2)
MOUNTAIN SHADOWS EWE **MS190080**
AFL 12.6 | ILP 280 | EPI 125
Lambded 7 | Lambs 10 | Weaned 9

♂ **JB 180116**
JOHANRI KETTING

JB 160103
JOHANRI EWE **JB160103**
AFL 18.1 | ILP 348 | EPI 135
Lambded 7 | Lambs 15 | Weaned 15

MS 180005
MOUNTAIN SHADOWS RAM **MS 180005**

T 120053
2BROERS OOI **T 120053**
AFL 15 | ILP 307 | EPI 149
Lambded 10 | Lambs 14 | Weaned 14

♂ **REMKUIL RAM JT 160062**
JOHANRI OOI **JB 130067**
AFL - | ILP - | EPI 132
Lambded 16 | Lambs 11 | Weaned 11

JOHANRI RAM **JB 140174**
JOHANRI OOI **JB 100057**
AFL 36.4 | ILP 276 | EPI 100
Lambded 5 | Lambs 11 | Weaned 10

JOHANRI RAM **JB160100**
AVOCA EWE **GMO 150061**
AFL 24.5 | ILP 251 | EPI 90
Lambded 3 | Lambs 4 | Weaned 4

2BROERS RAM T 100177
LEEUEWKOP OOI **J 070239**
AFL 27.2 | ILP 338 | EPI 127
Lambded 5 | Lambs 9 | Weaned 6

Growth			Reproduction			
Wn. Dir.	Wean Mat.	Post-Wn.	NLW	TWW	AFL	ILP
98	87	97	106	98	82	92
61%	51%	35%	41%	53%	35%	29%

Logix Merit Index	94
Growth Index	93
Reproduction Index	94

LOGIX
GENETICS CHINA
EBV Analysis 2026-02-21

SELLER REMARKS: Jong Sniper seun met lengte van lyf en bouvorm. Covexin 10, Rev 1, Blue Tongue, Anthrax, Multivax P Plus

Birth Wt.	3kg
Wean Wt.	51.3kg (137)
Post-Wean	-
Mature Wt.	-
ADG Ind.	-
FCR Ind.	-
Scrotum	-

LOT 22 (M)



dormer



VS 240626

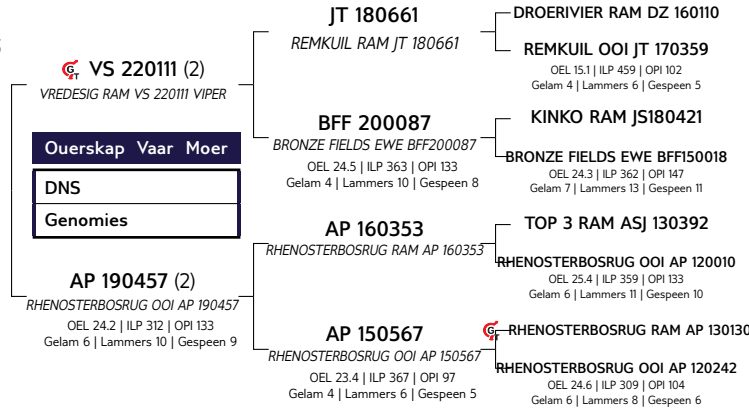
VREDESIG RAM VS240626

Kuddeboek	SP
Geb. dtm	2024-12-03
Oud.	1.3 jaar
Inteling	4.41%
Geb. Status	2
Nageslag	
Geen	

VREDESIG FORBES



Darling, Western Cape
0825442336
wijjforbes@gmail.com



Groei			Reproduksie			
Spn. Dir.	Spn. Mat.	Na-Spn.	GLS	TWW	OEL	ILP
107	104	112	92	100	102	100
58%	46%	39%	34%	48%	29%	24%



EBV Analise 2026-02-21

Logix Meriete Indeks	107
Groei Indeks	113
Reproduksie Indeks	101

Geb. Gew.	3.6kg
Speen Gew.	28.3kg (100)
Na-Speen	48kg (100)
Volw. Gew.	-
GDT Ind.	-
VOV Ind.	-
Skrotum	-

VERKOPER OPMERKINGS: Viper seun met goeie syfers, kom uit 'n baie vrugbare moeder. Entings; Rev 1, Blu Vax, Glenvac 3 en Multivax P- Plus

LOT 23 (M)



dormer



VS 240430

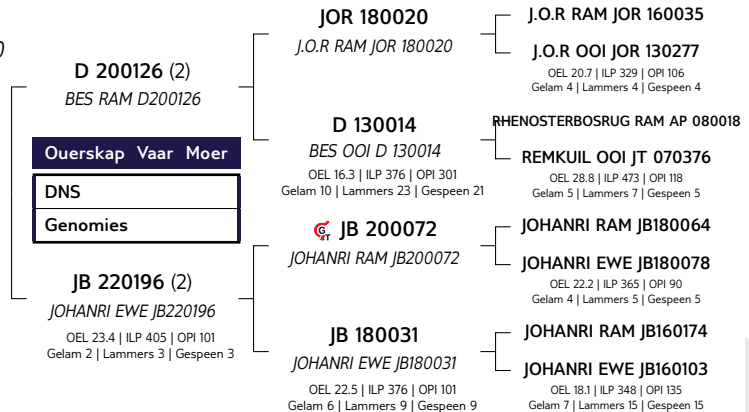
VREDESIG RAM VS 240430

Kuddeboek	SP
Geb. dtm	2024-07-10
Oud.	1.7 jaar
Inteling	4.12%
Geb. Status	2
Nageslag	
Geen	

VREDESIG FORBES



Darling, Western Cape
0825442336
wijjforbes@gmail.com



Groei			Reproduksie			
Spn. Dir.	Spn. Mat.	Na-Spn.	GLS	TWW	OEL	ILP
107	83	96	93	93	88	100
62%	52%	50%	38%	53%	37%	26%



EBV Analise 2026-02-21

Logix Meriete Indeks	95
Groei Indeks	102
Reproduksie Indeks	85

Geb. Gew.	3kg
Speen Gew.	41.7kg (111)
Na-Speen	80.8kg (95)
Volw. Gew.	-
GDT Ind.	-
VOV Ind.	-
Skrotum	-

VERKOPER OPMERKINGS: Wolf seun. Entings; Rev 1, Blu Vax, Glenvac 3 en Multivax P- Plus

LOT 24 (M)



dormer



J 240088

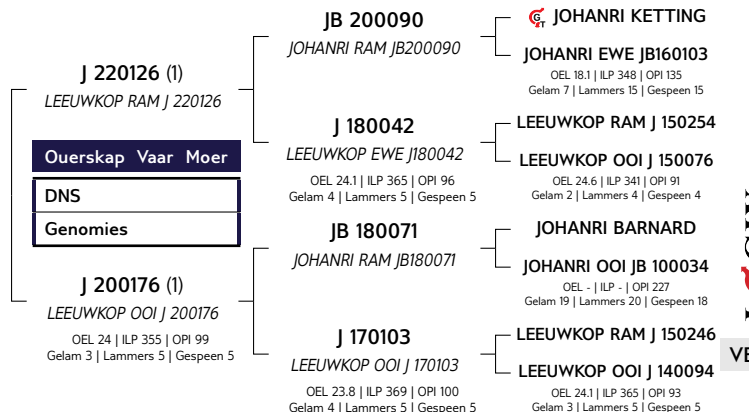
LEEUKWOP RAM J 240088

Kuddeboek	SP
Geb. dtm	2024-06-23
Oud.	1.7 jaar
Inteling	7.75%
Geb. Status	2
Nageslag	
Geen	

LEEUKWOP DORMERS



Rouxville, Free State
0710440838
charleschurch89@icloud.com



Groei			Reproduksie			
Spn. Dir.	Spn. Mat.	Na-Spn.	GLS	TWW	OEL	ILP
101	88	98	87	86	84	94
61%	46%	23%	33%	49%	30%	25%



EBV Analise 2026-02-21

Logix Meriete Indeks	88
Groei Indeks	97
Reproduksie Indeks	81

Geb. Gew.	4kg
Speen Gew.	32.9kg (93)
Na-Speen	-
Volw. Gew.	-
GDT Ind.	-
VOV Ind.	-
Skrotum	-

VERKOPER OPMERKINGS:

LOT 25 (M)



LEEUEWKOP DORMERS



Rouxville, Free State

0710440838

charleschurch89@icloud.com

J 240055

LEEUEWKOP RAM J 240055

Herd Book	SP
Birth date	2024-06-20
Age	1.7 years
Inbreeding	5.53%
Birth Stat.	1
Progeny	
None	

dormer



♂ **JB 210188 (2)**
JOHANRI RAM JB210188 STORM

Parentage Sire Dam
DNA
Genomic

J 190189 (2)
LEEUEWKOP EWE J190189
AFL 24.4 | ILP 357 | EPI 96
Lambded 4 | Lambs 5 | Weaned 5

♂ **JB 200092**
JOHANRI ANKER

BR 130209
BENDRI OOI BR130209
AFL 23.1 | ILP 435 | EPI 165
Lambded 6 | Lambs 12 | Weaned 10

J 170071
LEEUEWKOP RAM J 170071

J 160138
LEEUEWKOP OOI J 160138
AFL 24.2 | ILP 366 | EPI 106
Lambded 5 | Lambs 6 | Weaned 6

♂ **JOHANRI KETTING**
JOHANRI EWE JB180015
AFL 23.3 | ILP - | EPI 92
Lambded 1 | Lambs 3 | Weaned 3

♀ **RHENOSTERBOSRUG RAM AP 100097**

KINKO OOI JS 080578
AFL 25.6 | ILP 367 | EPI 103
Lambded 4 | Lambs 6 | Weaned 5

LEEUEWKOP RAM J 150254
LEEUEWKOP OOI J 150224
AFL 23.8 | ILP 299 | EPI 121
Lambded 6 | Lambs 8 | Weaned 8

LEEUEWKOP RAM J 140285
LEEUEWKOP OOI J 110225
AFL 23.8 | ILP 389 | EPI 126
Lambded 6 | Lambs 8 | Weaned 7



EBV Analysis 2026-02-21

SELLER REMARKS: Vaar se vaar nie geverifieer nie.

Growth			Reproduction			
Wn. Dir.	Wean Mat.	Post-Wn.	NLW	TWW	AFL	ILP
111	76	104	90	91	114	91
62%	52%	41%	37%	52%	37%	23%

Logix Merit Index	99
Growth Index	102
Reproduction Index	87

Birth Wt.	5kg
Wean Wt.	38.1kg (107)
Post-Wean	-
Mature Wt.	-
ADG Ind.	-
FCR Ind.	-
Scrotum	-

LOT 26 (M)



HEYMAN DORMERS

Koffiefontein, Free State

0641089587

dirkheyman199511@gmail.com

DH 240158

DH TAFELKOP RAM DH240158

Herd Book	SP
Birth date	2024-08-01
Age	1.6 years
Inbreeding	4.88%
Birth Stat.	1
Progeny	
None	

dormer



♂ **JB 200092 (3)**
JOHANRI ANKER

Parentage Sire Dam
DNA
Genomic

GH 180652 (1)
MERTOUN EWE GH180652
AFL 22.1 | ILP 290 | EPI 119
Lambded 6 | Lambs 8 | Weaned 8

♂ **JB 180116**
JOHANRI KETTING

JB 180015
JOHANRI EWE JB180015
AFL 23.3 | ILP - | EPI 92
Lambded 1 | Lambs 3 | Weaned 3

GH 170075
MERTOUN RAM GH 170075

GH 160333
MERTOUN EWE GH160333
AFL 25.7 | ILP 419 | EPI 88
Lambded 2 | Lambs 3 | Weaned 3

♂ **REMKUIL RAM JT 160062**
JOHANRI OOI JB 130067
AFL - | ILP - | EPI 132
Lambded 16 | Lambs 11 | Weaned 11

♂ **REMKUIL RAM JT 160062**
JOHANRI OOI JB 120160
AFL - | ILP - | EPI 161
Lambded 11 | Lambs 16 | Weaned 15

MERTOUN RAM GH130210
MERTOUN OOI GH 140192
AFL 23.9 | ILP 368 | EPI 91
Lambded 2 | Lambs 4 | Weaned 4

MERTOUN RAM GH130210
MERTOUN OOI GH 140112
AFL 23.9 | ILP 395 | EPI 91
Lambded 3 | Lambs 4 | Weaned 4



EBV Analysis 2026-02-21

SELLER REMARKS: Anker seun

Growth			Reproduction			
Wn. Dir.	Wean Mat.	Post-Wn.	NLW	TWW	AFL	ILP
80	108	75	80	76	79	96
64%	57%	38%	45%	57%	43%	32%

Logix Merit Index	74
Growth Index	86
Reproduction Index	82

Birth Wt.	4.7kg
Wean Wt.	38.3kg (91)
Post-Wean	-
Mature Wt.	-
ADG Ind.	-
FCR Ind.	-
Scrotum	-

LOT 27 (M)



HEYMAN DORMERS

Koffiefontein, Free State

0641089587

dirkheyman199511@gmail.com

DH 240034

DH TAFELKOP RAM DH240034

Herd Book	SP
Birth date	2024-07-29
Age	1.6 years
Inbreeding	10.97%
Birth Stat.	3
Progeny	
None	

dormer



♂ **JB 200092 (3)**
JOHANRI ANKER

Parentage Sire Dam
DNA
Genomic

DH 220093 (2)
DH TAFELKOP EWE DH220093
AFL 22.7 | ILP - | EPI 103
Lambded 11 | Lambs 4 | Weaned 4

♂ **JB 180116**
JOHANRI KETTING

JB 180015
JOHANRI EWE JB180015
AFL 23.3 | ILP - | EPI 92
Lambded 1 | Lambs 3 | Weaned 3

JB 200036
JOHANRI JUNIOR

W 190007
WM EWE W190007
AFL 11.6 | ILP 396 | EPI 89
Lambded 3 | Lambs 5 | Weaned 4

♂ **REMKUIL RAM JT 160062**
JOHANRI OOI JB 130067
AFL - | ILP - | EPI 132
Lambded 16 | Lambs 11 | Weaned 11

♂ **REMKUIL RAM JT 160062**
JOHANRI OOI JB 120160
AFL - | ILP - | EPI 161
Lambded 11 | Lambs 16 | Weaned 15

JOHANRI RAM JB180064
JOHANRI EWE JB180095
AFL 22 | ILP 366 | EPI 99
Lambded 4 | Lambs 9 | Weaned 8

LEEUEWKOP RAM J 150056
WESTLEY OOI W170126
AFL 20.3 | ILP 158 | EPI 115
Lambded 2 | Lambs 3 | Weaned 3



EBV Analysis 2026-02-21

SELLER REMARKS: Anker seun op n Junior dogter, een van n 3ling

Growth			Reproduction			
Wn. Dir.	Wean Mat.	Post-Wn.	NLW	TWW	AFL	ILP
100	104	96	99	101	75	80
62%	54%	39%	41%	54%	42%	30%

Logix Merit Index	97
Growth Index	105
Reproduction Index	96

Birth Wt.	2.5kg
Wean Wt.	47.7kg (113)
Post-Wean	-
Mature Wt.	-
ADG Ind.	-
FCR Ind.	-
Scrotum	-

LOT 28 (M)



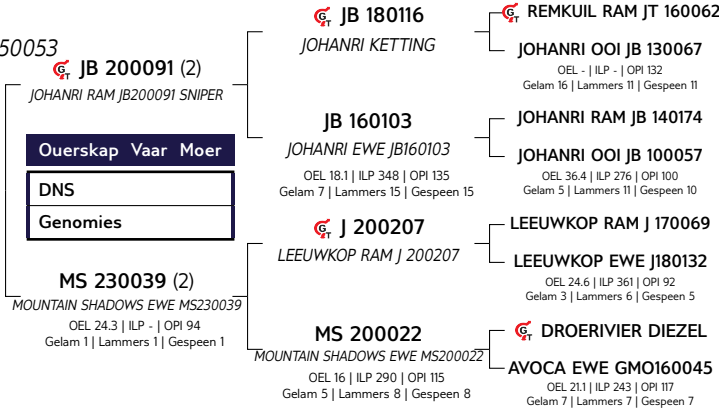
J.L. DU RANDT

Elliot, Eastern Cape
0848808920
juandurandt12@gmail.com

MS 250053

MOUNTAIN SHADOWS RAM MS 250053

Kuddeboek	SP
Geb. dtm	2025-04-27
Oud.	11 maande
Inteling	5.19%
Geb. Status	1
Nageslag	
Geen	



Groei			Reproduksie			
Spn. Dir.	Spn. Mat.	Na-Spn.	GLS	TWW	OEL	ILP
102	82	102	106	99	85	95
59%	46%	35%	36%	49%	34%	27%

Logix Meriete Indeks	97
Groei Indeks	95
Reproduksie Indeks	93

Geb. Gew.	3kg
Speen Gew.	43.5kg (116)
Na-Speen	-
Volw. Gew.	-
GDT Ind.	-
VOV Ind.	-
Skrotum	-

LOGIX
SEARCH & ANALYSE
EBV Analise 2026-02-21

VERKOPER OPMERKINGS: "Jong Sniper seun met sterk kop en baie potensiaal. Hier is n top jong ram." Covxin 10, Rev 1, Blue Tongue, Anthrax, Multivax P Plus

LOT 29 (M)



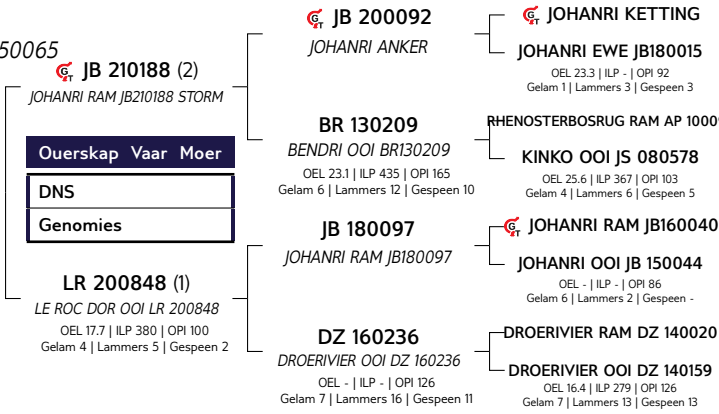
J.L. DU RANDT

Elliot, Eastern Cape
0848808920
juandurandt12@gmail.com

MS 250065

MOUNTAIN SHADOWS RAM MS 250065

Kuddeboek	SP
Geb. dtm	2025-04-27
Oud.	11 maande
Inteling	6.08%
Geb. Status	2
Nageslag	
Geen	



Groei			Reproduksie			
Spn. Dir.	Spn. Mat.	Na-Spn.	GLS	TWW	OEL	ILP
111	85	102	98	99	88	99
61%	51%	43%	36%	51%	37%	25%

Logix Meriete Indeks	102
Groei Indeks	107
Reproduksie Indeks	91

Geb. Gew.	2kg
Speen Gew.	45.1kg (120)
Na-Speen	-
Volw. Gew.	-
GDT Ind.	-
VOV Ind.	-
Skrotum	-

LOGIX
SEARCH & ANALYSE
EBV Analise 2026-02-21

VERKOPER OPMERKINGS: Covxin 10, Rev 1, Blue Tongue, Anthrax, Multivax P Plus. Vaar se vaar nie geveifieer nie.

LOT 30 (M)



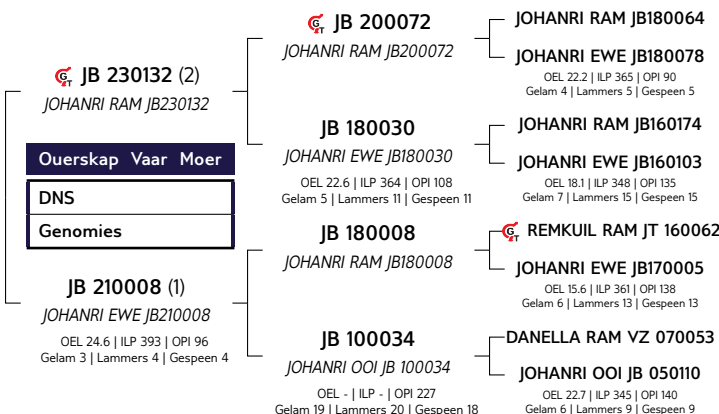
VREDESIG FORBES

Darling, Western Cape
0825442336
wijforbes@gmail.com

VS 240447

VREDESIG RAM VS 240447

Kuddeboek	SP
Geb. dtm	2024-07-11
Oud.	1.7 jaar
Inteling	8.39%
Geb. Status	2
Nageslag	
Geen	



Groei			Reproduksie			
Spn. Dir.	Spn. Mat.	Na-Spn.	GLS	TWW	OEL	ILP
99	86	100	92	89	84	94
58%	47%	46%	37%	49%	34%	26%

Logix Meriete Indeks	89
Groei Indeks	95
Reproduksie Indeks	84

Geb. Gew.	3kg
Speen Gew.	30.3kg (81)
Na-Speen	71.7kg (100)
Volw. Gew.	-
GDT Ind.	-
VOV Ind.	-
Skrotum	-

LOGIX
SEARCH & ANALYSE
EBV Analise 2026-02-21

VERKOPER OPMERKINGS: Entings; Rev 1, Blu Vax, Glenvac 3 en Multivax P- Plus

LOT 31 (M)



VREDESIG FORBES



Darling, Western Cape
0825442336
wijforbes@gmail.com

VS 250003

VREDESIG RAM VS 250003

Herd Book	SP
Birth date	2025-02-23
Age	1.1 years
Inbreeding	13.3%
Birth Stat.	2
Progeny	
None	



DCZ 230014 (2)
OUPLAAS RAM DCZ 230014

Parentage	Sire Dam
DNA	
Genomic	

DZ 220033 (1)
DROERIVIER OOI DZ 220033
AFL - | ILP - | EPI -
Lambded 3 | Lams 2 | Weaned 2

DZ 210432
DROERIVIER BLASER
DROERIVIER PAYBACK
DROERIVIER OOI DZ 160115
AFL 15.6 | ILP 626 | EPI 132
Lambded 10 | Lams 16 | Weaned 16

DZ 220031
DROERIVIER OOI DZ 220031
AFL - | ILP - | EPI -
Lambded 4 | Lams 7 | Weaned 4
DROERIVIER RAM DZ 200380
DROERIVIER OOI DZ 190216
AFL 23.8 | ILP 285 | EPI 109
Lambded 5 | Lams 8 | Weaned 8

DZ 200380
DROERIVIER RAM DZ 200380
DROERIVIER OOI DZ 170291
AFL 19.8 | ILP - | EPI 94
Lambded 3 | Lams 5 | Weaned 5

DZ 200089
DROERIVIER OOI DZ 200089
AFL 16 | ILP 371 | EPI 113
Lambded 6 | Lams 11 | Weaned 10
DROERIVIER OOI DZ 180296
AFL 15.9 | ILP 518 | EPI 110
Lambded 5 | Lams 9 | Weaned 9

Growth			Reproduction			
Wn. Dir.	Wean Mat.	Post-Wn.	NLW	TWW	AFL	ILP
111	93	109	96	102	96	100
58%	41%	28%	30%	45%	27%	21%



EBV Analysis 2026-02-21

Logix Merit Index	107
Growth Index	112
Reproduction Index	97

Birth Wt.	3kg
Wean Wt.	35.8kg (96)
Post-Wean	-
Mature Wt.	-
ADG Ind.	-
FCR Ind.	-
Scrotum	-

SELLER REMARKS: Jong Ram met baie goeie syfers en bouvorm. Entings: Rev 1, Blu Vax, Glenvac 3 en Multivax P- Plus

LOT 32 (M)



LEEUEWKOP DORMERS



Rouxville, Free State
0710440838
charleschurch89@icloud.com

J 240039

LEEUEWKOP RAM J 240039

Herd Book	SP
Birth date	2024-06-19
Age	1.7 years
Inbreeding	5.47%
Birth Stat.	3
Progeny	
None	



JB 210188 (2)
JOHANRI RAM JB210188 STORM

Parentage	Sire Dam
DNA	
Genomic	

J 200128 (1)
LEEUEWKOP OOI J 200128
AFL 24.1 | ILP 360 | EPI 109
Lambded 4 | Lams 6 | Weaned 6

JB 200092
JOHANRI ANKER
JOHANRI KETTING
JOHANRI EWE JB180015
AFL 23.3 | ILP - | EPI 92
Lambded 1 | Lams 3 | Weaned 3

BR 130209
BENDRI OOI BR130209
AFL 23.1 | ILP 435 | EPI 165
Lambded 6 | Lams 12 | Weaned 10
RHENOSTERBOSRUG RAM AP 100097
KINKO OOI JS 080578
AFL 25.6 | ILP 367 | EPI 103
Lambded 4 | Lams 6 | Weaned 5

J 170069
LEEUEWKOP RAM J 170069
DROERIVIER RAM DZ 140017
LEEUEWKOP OOI J 150236
AFL 23.8 | ILP 378 | EPI 102
Lambded 5 | Lams 9 | Weaned 6

J 180173
LEEUEWKOP EWE J180173
AFL 24 | ILP - | EPI 87
Lambded 1 | Lams 1 | Weaned 1
LEEUEWKOP RAM J 160133
LEEUEWKOP OOI J 150219
AFL 24 | ILP 383 | EPI 118
Lambded 6 | Lams 9 | Weaned 8

Growth			Reproduction			
Wn. Dir.	Wean Mat.	Post-Wn.	NLW	TWW	AFL	ILP
110	90	103	98	101	110	95
63%	53%	41%	38%	53%	38%	24%



EBV Analysis 2026-02-21

Logix Merit Index	108
Growth Index	109
Reproduction Index	100

Birth Wt.	3kg
Wean Wt.	38.7kg (109)
Post-Wean	-
Mature Wt.	-
ADG Ind.	-
FCR Ind.	-
Scrotum	-

SELLER REMARKS: Vaar se vaar nie geverifieer nie.

LOT 33 (M)



J.L. DU RANDT



Elliot, Eastern Cape
0848808920
juandurandt12@gmail.com

MS 250032

MOUNTAIN SHADOWS RAM MS 250032

Herd Book	SP
Birth date	2025-04-24
Age	11 months
Inbreeding	4.93%
Birth Stat.	1
Progeny	
None	



JB 200091 (2)
JOHANRI RAM JB200091 SNIPER

Parentage	Sire Dam
DNA	
Genomic	

MS 200069 (1)
MOUNTAIN SHADOWS EWE MS200069
AFL 13.5 | ILP 324 | EPI 112
Lambded 5 | Lams 5 | Weaned 5

JB 180116
JOHANRI KETTING
REMKUIL RAM JT 160062
JOHANRI OOI JB 130067
AFL - | ILP - | EPI 132
Lambded 16 | Lams 11 | Weaned 11

JB 160103
JOHANRI EWE JB160103
AFL 18.1 | ILP 348 | EPI 135
Lambded 7 | Lams 15 | Weaned 15
JOHANRI RAM JB 140174
JOHANRI OOI JB 100057
AFL 36.4 | ILP 276 | EPI 100
Lambded 5 | Lams 11 | Weaned 10

PHR 180319
PHR RAM PHR 180319
NOVA BARLETTA RAM NB130119
PHR OOI PHR 160736
AFL 16.4 | ILP 324 | EPI 117
Lambded 7 | Lams 12 | Weaned 12

MS 190033
MOUNTAIN SHADOWS OOI MS190033
AFL 17.8 | ILP 296 | EPI 100
Lambded 6 | Lams 7 | Weaned 7
DROERIVIER DIEZEL
AVOCA EWE GMO 150026
AFL 15.4 | ILP 269 | EPI 152
Lambded 8 | Lams 11 | Weaned 10

Growth			Reproduction			
Wn. Dir.	Wean Mat.	Post-Wn.	NLW	TWW	AFL	ILP
91	99	92	93	89	75	102
60%	50%	37%	40%	52%	34%	29%



EBV Analysis 2026-02-21

Logix Merit Index	86
Growth Index	92
Reproduction Index	88

Birth Wt.	3kg
Wean Wt.	42.8kg (114)
Post-Wean	-
Mature Wt.	-
ADG Ind.	-
FCR Ind.	-
Scrotum	-

SELLER REMARKS: Covexin 10, Rev 1, Blue Tongue, Anthrax, Multivax P Plus

LOT 34 (M)



J.L. DU RANDT

Elliot, Eastern Cape
0848808920
juandurandt12@gmail.com



MS 250063

MOUNTAIN SHADOWS RAM MS 250063

Kuddeboek	SP
Geb. dtm	2025-04-27
Oud.	11 maande
Inteling	8.45%
Geb. Status	2
Nageslag	
Geen	

♂ **JB 200091 (2)**
JOHANRI RAM JB200091 SNIPER

Uoerskap Vaar Moer
DNS
Genomies

MS 180001 (2)
MOUNTAIN SHADOWS OOI MS180001
OEL 13 | ILP 313 | OPI 132
Gelam 8 | Lammers 15 | Gespeen 14

♂ **JB 180116**
JOHANRI KETTING

JB 160103
JOHANRI EWE JB160103
OEL 18.1 | ILP 348 | OPI 135
Gelam 7 | Lammers 15 | Gespeen 15

JB 160100
JOHANRI RAM JB160100

GMO 120011
AVOCA EWE GMO120011
OEL 24.4 | ILP 323 | OPI 133
Gelam 7 | Lammers 13 | Gespeen 12

♂ **REMKUIL RAM JT 160062**

JOHANRI OOI JB 130067
OEL - | ILP - | OPI 132
Gelam 16 | Lammers 11 | Gespeen 11

JOHANRI RAM JB 140174
OEL 36.4 | ILP 276 | OPI 100
Gelam 5 | Lammers 11 | Gespeen 10

JOHANRI OOI JB 100057
OEL 32.9 | ILP 332 | OPI 129
Gelam 7 | Lammers 13 | Gespeen 10

JOHANRI RAM JB 140174
OEL 32.9 | ILP 332 | OPI 129
Gelam 7 | Lammers 13 | Gespeen 10

JOHANRI OOI JB 120165
OEL 35.2 | ILP 373 | OPI 116
Gelam 4 | Lammers 6 | Gespeen 6

DANELLA RAM VZ 090228
OEL 35.2 | ILP 373 | OPI 116
Gelam 4 | Lammers 6 | Gespeen 6

DANELLA EWE VZ 090096
OEL 35.2 | ILP 373 | OPI 116
Gelam 4 | Lammers 6 | Gespeen 6

Groeï			Reproduksie			
Spn. Dir.	Spn. Mat.	Na-Spn.	GLS	TWW	OEL	ILP
99	96	102	122	113	86	97
62%	53%	37%	42%	54%	36%	30%

Logix Meriete Indeks 108

Groeï Indeks 100

Reproduksie Indeks 113

Geb. Gew.	2kg
Speen Gew.	50.4kg (124)
Na-Speen	-
Volw. Gew.	-
GDT Ind.	-
VOV Ind.	-
Skrotum	-

LOGIX
GENOMICS ANALYSIS
EBV Analise 2026-02-21

VERKOPER OPMERKINGS: Covexin 10, Rev 1, Blue Tongue, Anthrax, Multivax P Plus

LOT 35 (M)



VREDESIG FORBES

Darling, Western Cape
0825442336
wjjforbes@gmail.com



VS 250211

VREDESIG RAM VS 250211

Kuddeboek	SP
Geb. dtm	2025-03-22
Oud.	12 maande
Inteling	5.08%
Geb. Status	2
Nageslag	
Geen	

♂ **HE 220197 (1)**
EKSTEENS HATARI RAM HE220197 BUFFEL

Uoerskap Vaar Moer
DNS
Genomies

NB 200558 (2)
NOVA BARLETTA EWE NB200558
OEL 20.4 | ILP 369 | OPI 140
Gelam 4 | Lammers 8 | Gespeen 7

♂ **JH 180153**
KAIRO RAM JH180153

SL 180140
ROOIEK EWE SL180140
OEL - | ILP - | OPI 155
Gelam 12 | Lammers 15 | Gespeen 13

♂ **NB 180009**
NOVA BARLETTA SPUTNIK

NB 170268
NOVA BARLETTA OOI NB 170268
OEL 16.1 | ILP 332 | OPI 140
Gelam 7 | Lammers 11 | Gespeen 10

JOHANRI RAM JB150119
OEL - | ILP - | OPI 98
Gelam 14 | Lammers 9 | Gespeen 5

KAIRO OOI JH 140015
OEL - | ILP - | OPI 98
Gelam 14 | Lammers 9 | Gespeen 5

ROOIEK RAM SL 170032
OEL 28 | ILP 332 | OPI 88
Gelam 2 | Lammers 3 | Gespeen 3

ROOIEK OOI SL 160036
OEL 28 | ILP 332 | OPI 88
Gelam 3 | Lammers 5 | Gespeen 4

♂ **JOHANRI APOLLO**
NOVA BARLETTA EWE NB140096
OEL 25.1 | ILP 330 | OPI 96
Gelam 3 | Lammers 5 | Gespeen 4

NOVA BARLETTA RAM NB150134
OEL - | ILP 389 | OPI 97
Gelam 3 | Lammers 4 | Gespeen 4

NOVA BARLETTA OOI NB 120305
OEL - | ILP 389 | OPI 97
Gelam 3 | Lammers 4 | Gespeen 4

Groeï			Reproduksie			
Spn. Dir.	Spn. Mat.	Na-Spn.	GLS	TWW	OEL	ILP
99	107	102	95	99	101	111
60%	49%	41%	40%	51%	36%	32%

Logix Meriete Indeks 104

Groeï Indeks 106

Reproduksie Indeks 105

Geb. Gew.	3kg
Speen Gew.	39.5kg (100)
Na-Speen	-
Volw. Gew.	-
GDT Ind.	-
VOV Ind.	-
Skrotum	-

LOGIX
GENOMICS ANALYSIS
EBV Analise 2026-02-21

VERKOPER OPMERKINGS: Jong Ram met goeie syfers, kom uit baie vrugbare moeder. Entings; Rev 1, Blu Vax, Glenvac 3 en Multivax P- Plus

LOT 36 (M)



VREDESIG FORBES

Darling, Western Cape
0825442336
wjjforbes@gmail.com



VS 250294

VREDESIG RAM VS 250294

Kuddeboek	SP
Geb. dtm	2025-03-23
Oud.	12 maande
Inteling	6.08%
Geb. Status	1
Nageslag	
Geen	

♂ **JB 220206 (2)**
JOHANRI JB 220206 STROOPER

Uoerskap Vaar Moer
DNS
Genomies

FCC 200105 (2)
SANCTUARY OOI FCC 200105
OEL 15.4 | ILP 328 | OPI 103
Gelam 5 | Lammers 8 | Gespeen 6

♂ **JB 200073**
JOHANRI RAM JB200073

JB 190024
JOHANRI EWE JB190024
OEL 24.4 | ILP 364 | OPI 98
Gelam 3 | Lammers 6 | Gespeen 6

FCC 180510
SANCTUARY RAM FCC180510

FCC 180611
SANCTUARY EWE FCC180611
OEL 18.7 | ILP 216 | OPI 86
Gelam 2 | Lammers 3 | Gespeen 2

♂ **JOHANRI KETTING**

JOHANRI EWE JB180018
OEL 23.2 | ILP 368 | OPI 101
Gelam 6 | Lammers 11 | Gespeen 9

JOHANRI RAM JB160174
OEL 18.1 | ILP 348 | OPI 135
Gelam 7 | Lammers 15 | Gespeen 15

JOHANRI EWE JB160103
OEL 24.8 | ILP 386 | OPI 89
Gelam 2 | Lammers 4 | Gespeen 4

WELPIC RAM JP170054
OEL 24.8 | ILP 386 | OPI 89
Gelam 2 | Lammers 4 | Gespeen 4

SANCTUARY OOI FCC 160315
OEL 24.8 | ILP 386 | OPI 89
Gelam 2 | Lammers 4 | Gespeen 4

SANCTUARY RAM FCC 160292
OEL 31.3 | ILP 289 | OPI 95
Gelam 4 | Lammers 5 | Gespeen 4

SANCTUARY EWE FCC140242
OEL 31.3 | ILP 289 | OPI 95
Gelam 4 | Lammers 5 | Gespeen 4

Groeï			Reproduksie			
Spn. Dir.	Spn. Mat.	Na-Spn.	GLS	TWW	OEL	ILP
106	82	106	88	88	91	99
59%	46%	34%	36%	49%	33%	27%

Logix Meriete Indeks 92

Groeï Indeks 100

Reproduksie Indeks 82

Geb. Gew.	5kg
Speen Gew.	37.1kg (98)
Na-Speen	-
Volw. Gew.	-
GDT Ind.	-
VOV Ind.	-
Skrotum	-

LOGIX
GENOMICS ANALYSIS
EBV Analise 2026-02-21

VERKOPER OPMERKINGS: Jong ram. Entings; Rev 1, Blu Vax, Glenvac 3 en Multivax P- Plus

Sales Catalogue Herd Rams / Ewes / Verkoopskatalogus Kudderamme / Ooie DORMER Progeny not for Registration / Nageslag nie vir Registrasie nie

Compiled by the South African Stud Book Association and Logix Small Stock, Pedigree- and Performance data certified correct
Saamgestel deur die Suid-Afrikaanse Stamboekvereniging en Logix Kleinvee, Stamboom- en Prestasiedata korrek gesertifiseer

Rams / Ramme

Animal ID		Birth Date	Status	Wean Speen			Post Wean Naspeen			NLW%	VR	Own Lamb Record / Eie lamrekord Dam lamb record / Moer Lamrekord						Sire / Vaar Status		Dam / Moer Status		Buyer comment/price	
LOT	Dier ID	Geb. Datum	GEN	Ind	Dir ^{Acc} _{Akk}	Mat ^{Acc} _{Akk}	Ind	Dir ^{Acc} _{Akk}	Mat ^{Acc} _{Akk}	GLS%	SI% SD	1st	ILP	TL	LB	LS	MLI	EPI	Sire / Vaar	Dam / Moer	Sire / Vaar	Dam / Moer	Koper opmerking/prys
0693605 HEYMAN DORMERS, TAFELKOP PLAAS POSBUS 61, KOFFIEFONTEIN, 9986																							
37	DH 24 0058	02 29/07/2024	LMB NFR	110	2.38 ¹⁰⁵ ₅₆	-.23 ⁹⁹ ₄₆	2.27 ¹⁰⁶ ₂₈		0.18 ¹⁰² ₃₂			23.5	349	3	5	5	95	101	JB 220110 (02) JB 200072	JB 190033	DH 200073 (01) NH 180009	DH 150002	
Comment: Bar One kleinseun , ram met baie goeie diepte en mooi oop bors. Robuuste ram Opmerking:																							
0726103 VREDESIG FORBES, 41 SPARROWHAWK D`URBANVALE, DURBANVILLE, 7550																							
38	VS 24 0250	02 28/03/2024	REI NFR	130	2.51 ¹⁰⁶ ₅₆	0.52 ¹⁰⁷ ₄₁	118	3.66 ¹¹³ ₄₅	0.71 ¹⁰⁷ ₂₉			23.5	332	2	3	3	112	101	AP 220305 (02) AP 190116	AP 200442	AP 210379 (02) AP 180492	AP 190136	
Comment: Ram met besondere bouvorm en syfers. Entings; Rev 1, Blu Vax, Glenvac 3 en Multivax P- Plus Opmerking:																							

LOT 39 (F)



LEEUEWKOP DORMERS



Rouxville, Free State
0710440838
charleschurch89@icloud.com

J 220171
LEEUEWKOP OOI J 220171

Herd Book	SP	
Birth date	2022-07-14	
Age	3.7 years	
Inbreeding	5.29%	
Birth Stat.	2	
AFL	ILP	EPI
23.4m	-	93
Lambled	1	
Lambs (Sucking)	1 (0)	
Weaned	1	

♂ **JB 200084 (2)**
JOHANRI RAM JB200084

Parentage Sire Dam
DNA
Genomic

J 180060 (2)
LEEUEWKOP EWE J180060
AFL 24.3 | ILP 363 | EPI 122
Lambled 5 | Lambs 10 | Weaned 10

♂ **JB 180008**
JOHANRI RAM JB180008

♂ **JB 180040**
JOHANRI EWE JB180040
AFL 22.4 | ILP 372 | EPI 107
Lambled 6 | Lambs 10 | Weaned 10

J 150254
LEEUEWKOP RAM J 150254

J 150089
LEEUEWKOP OOI J 150089
AFL 24.5 | ILP 360 | EPI 93
Lambled 4 | Lambs 7 | Weaned 4

♂ **REMKUIL RAM JT 160062**
JOHANRI EWE JB170005
AFL 15.6 | ILP 361 | EPI 138
Lambled 6 | Lambs 13 | Weaned 13

JOHANRI RAM JB160174
JOHANRI OOI JB 100034
AFL - | ILP - | EPI 227
Lambled 19 | Lambs 20 | Weaned 18

LEEUEWKOP RAM J 130175
LEEUEWKOP OOI J 120059
AFL 24 | ILP 378 | EPI 89
Lambled 2 | Lambs 3 | Weaned 3

JOHANRI RAM JB 130127 BOENDOE
LEEUEWKOP OOI J 100180
AFL 23.8 | ILP 381 | EPI 147
Lambled 7 | Lambs 11 | Weaned 11

Growth			Reproduction			
Wn. Dir.	Wean Mat.	Post-Wn.	NLW	TWW	AFL	ILP
99	89	103	83	83	107	100
65%	61%	41%	47%	59%	47%	31%

Logix Merit Index	90
Growth Index	95
Reproduction Index	86

Birth Wt.	3kg
Wean Wt.	33.1kg (97)
Post-Wean	-
Mature Wt.	-
ADG Ind.	-
FCR Ind.	-
Scrotum	-

LOGIX
GENOMIC ANALYSIS
EBV Analysis 2026-02-21

SELLER REMARKS: DRAGTIG MET 2LING VAN RAM J230107

LOT 40 (F)



LEEUEWKOP DORMERS



Rouxville, Free State
0710440838
charleschurch89@icloud.com

J 210126
LEEUEWKOP OOI J 210126

Herd Book	SP	
Birth date	2021-07-14	
Age	4.7 years	
Inbreeding	5.65%	
Birth Stat.	2	
AFL	ILP	EPI
24m	341d	97
Lambled	2	
Lambs (Sucking)	3 (0)	
Weaned	3	

J 180003 (2)
LEEUEWKOP RAM J180003

Parentage Sire Dam
DNA
Genomic

J 190193 (2)
LEEUEWKOP EWE J190193
AFL 24.4 | ILP - | EPI 90
Lambled 1 | Lambs 2 | Weaned 2

J 160133
LEEUEWKOP RAM J 160133

J 160047
LEEUEWKOP OOI J 160047
AFL 23.8 | ILP 395 | EPI 110
Lambled 4 | Lambs 7 | Weaned 6

J 170071
LEEUEWKOP RAM J 170071

J 150219
LEEUEWKOP OOI J 150219
AFL 24 | ILP 383 | EPI 118
Lambled 6 | Lambs 9 | Weaned 8

HELDERHOEK RAM VE 130035
LEEUEWKOP OOI J 130235
AFL 23.6 | ILP 370 | EPI 102
Lambled 4 | Lambs 7 | Weaned 7

EVERSAR RAM CN120049
LEEUEWKOP OOI J 110115
AFL 36.2 | ILP 363 | EPI 110
Lambled 5 | Lambs 9 | Weaned 7

LEEUEWKOP RAM J 150254
LEEUEWKOP OOI J 150224
AFL 23.8 | ILP 299 | EPI 121
Lambled 6 | Lambs 8 | Weaned 8

LEEUEWKOP RAM J 130175
LEEUEWKOP OOI J 120016
AFL 24.4 | ILP 363 | EPI 85
Lambled 2 | Lambs 2 | Weaned 2

Growth			Reproduction			
Wn. Dir.	Wean Mat.	Post-Wn.	NLW	TWW	AFL	ILP
106	110	107	90	100	136	92
62%	61%	22%	42%	57%	39%	29%

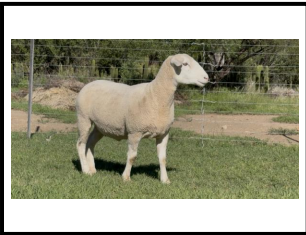
Logix Merit Index	113
Growth Index	114
Reproduction Index	112

Birth Wt.	3kg
Wean Wt.	34kg (110)
Post-Wean	-
Mature Wt.	-
ADG Ind.	-
FCR Ind.	-
Scrotum	-

LOGIX
GENOMIC ANALYSIS
EBV Analysis 2026-02-21

SELLER REMARKS: DRAGTIG MET 2LING VAN RAM J230107

LOT 41 (F)



HEYMAN DORMERS

Koffiefontein, Free State
0641089587
dirkheyman199511@gmail.com

DH 240122
DH TAFELKOP EWE DH240122

Herd Book	SP	
Birth date	2024-07-31	
Age	1.6 years	
Inbreeding	6.38%	
Birth Stat.	3	
AFL	ILP	EPI
-	-	-

♂ **JB 200092 (3)**
JOHANRI ANKER

Parentage Sire Dam
DNA
Genomic

DH 210149 (1)
DH TAFELKOP EWE DH210149
AFL 20.7 | ILP 343 | EPI 107
Lambled 2 | Lambs 4 | Weaned 4

♂ **JB 180116**
JOHANRI KETTING

♂ **JB 180015**
JOHANRI EWE JB180015
AFL 23.3 | ILP - | EPI 92
Lambled 1 | Lambs 3 | Weaned 3

GH 190040
MERTOUN RAM GH190040

DH 200018
DH TAFELKOP EWE DH200018
AFL 19.5 | ILP 324 | EPI 97
Lambled 3 | Lambs 4 | Weaned 3

♂ **REMKUIL RAM JT 160062**
JOHANRI OOI JB 130067
AFL - | ILP - | EPI 132
Lambled 16 | Lambs 11 | Weaned 11

♂ **REMKUIL RAM JT 160062**
JOHANRI OOI JB 120160
AFL - | ILP - | EPI 161
Lambled 11 | Lambs 16 | Weaned 15

DROERIVIER RAM DZ 140020
MERTOUN EWE GH170021
AFL 17.7 | ILP - | EPI 87
Lambled 1 | Lambs 2 | Weaned 2

RENOSTERVALLEI RAM NH180009
DH TAFELKOP OOI DH180011
AFL - | ILP 289 | EPI 109
Lambled 4 | Lambs 7 | Weaned 7

Growth			Reproduction			
Wn. Dir.	Wean Mat.	Post-Wn.	NLW	TWW	AFL	ILP
91	98	90	92	88	72	95
62%	54%	39%	41%	54%	40%	31%

Logix Merit Index	84
Growth Index	92
Reproduction Index	86

Birth Wt.	4.7kg
Wean Wt.	35.9kg (89)
Post-Wean	-
Mature Wt.	-
ADG Ind.	-
FCR Ind.	-
Scrotum	-

LOGIX
GENOMIC ANALYSIS
EBV Analysis 2026-02-21

SELLER REMARKS: Anker dogter , een van 'n 3-ling, dragtig met lling van Hilus DZ23 194

LOT 42 (F)



dormer



HEYMAN DORMERS

Koffiefontein, Free State
0641089587
dirkheyman199511@gmail.com

DH 230144

DH TAFELKOP OOI DH 230144

. Kuddeboek	SP	
Geb. dtm	2023-08-30	
Oud.	2.5 jaar	
Inteling	5.87%	
Geb. Status	2	
OEL	ILP	OPI
19.7m	-	95
Gelam	1	
Lammers (Soog)	1 (0)	
Gespeen	1	

DH 210109 (2)
DH TAFELKOP RAM DH210109

Ouerskap Vaar Moer
DNS
Genomies

DH 200068 (1)
DH TAFELKOP EWE DH200068

OEL	ILP	OPI
24.3	ILP 366	OPI 93
Gelam 2	Lammers 3	Gespeen 3

GH 190040
MERTOUN RAM GH190040

VE 180031
HELDERHOEK OOI VE 180031

JOB 190002
JOB RAM JOB190002

DH 180021
DH TAFELKOP OOI DH180021

DROERIVIER RAM DZ 140020

MERTOUN EWE GH170021
OEL 17.7 | ILP - | OPI 87
Gelam 1 | Lammers 2 | Gespeen 2

JOHANRI RAM JB160021

HELDERHOEK OOI VE 160002
OEL 23.8 | ILP 345 | OPI 125
Gelam 5 | Lammers 7 | Gespeen 6

KALKVLEY RAM CVM 170023

RENOSTERVALLEI EWE NH170017
OEL 23.3 | ILP 425 | OPI 91
Gelam 2 | Lammers 5 | Gespeen 2

OEL - | ILP - | OPI 89
Gelam 1 | Lammers 1 | Gespeen 1

Groei			Reproduksie			
Spn. Dir.	Spn. Mat.	Na-Spn.	GLS	TWW	OEL	ILP
71	111	79	91	80	98	116
56%	48%	26%	33%	48%	33%	20%

Logix Meriete Indeks	80	Geb. Gew.	4kg
Groei Indeks	77	Speen Gew.	34.3kg (93)
Reproduksie Indeks	98	Na-Speen	-
		Volw. Gew.	-
		GDT Ind.	-
		VOV Ind.	-
		Skrotum	-

LOGIX
SA Stud Book
EBV Analyse 2026-02-21

VERKOPER OPMERKINGS: DRAGTIG MET ILING VAN HILUX DZ230194

LOT 43 (F)



dormer



J.L. DU RANDT

Elliot, Eastern Cape
0848808920
juandurandt12@gmail.com

MS 220031

MOUNTAIN SHADOWS EWE MS220031

. Kuddeboek	SP	
Geb. dtm	2022-03-14	
Oud.	4 jaar	
Inteling	%	
Geb. Status	2	
OEL	ILP	OPI
17.6m	270d	105
Gelam	4	
Lammers (Soog)	6 (2)	
Gespeen	4	

JT 190228 (1)
REMKUIL RAM JT 190228

Ouerskap Vaar Moer
DNS
Genomies

MS 200096 (2)
MOUNTAIN SHADOWS EWE MS200096

OEL	ILP	OPI
18.2	ILP 379	OPI 111
Gelam 4	Lammers 6	Gespeen 6

NB 170006
NOVA BARLETTA RAM NB170006

JT 160166
REMKUIL OOI JT 160166

PHR 180319
PHR RAM PHR 180319

MS 180002
MOUNTAIN SHADOWS EWE MS180002

EVERSAR RAM CN140127

NOVA BARLETTA EWE NB140096
OEL 25.1 | ILP 330 | OPI 96
Gelam 3 | Lammers 5 | Gespeen 4

REMKUIL RAM JT 130357

REMKUIL OOI JT 110350
OEL 36.1 | ILP 714 | OPI 96
Gelam 2 | Lammers 4 | Gespeen 4

NOVA BARLETTA RAM NB130119

PHR OOI PHR 160736
OEL 16.4 | ILP 324 | OPI 117
Gelam 7 | Lammers 12 | Gespeen 12

JOHANRI RAM JB160100

AVOCA EWE GMO120011
OEL 24.4 | ILP 323 | OPI 133
Gelam 7 | Lammers 13 | Gespeen 12

Groei			Reproduksie			
Spn. Dir.	Spn. Mat.	Na-Spn.	GLS	TWW	OEL	ILP
89	89	90	97	86	100	119
65%	65%	35%	47%	61%	40%	31%

Logix Meriete Indeks	89	Geb. Gew.	3kg
Groei Indeks	85	Speen Gew.	26.1kg (113)
Reproduksie Indeks	94	Na-Speen	-
		Volw. Gew.	-
		GDT Ind.	-
		VOV Ind.	-
		Skrotum	-

LOGIX
SA Stud Book
EBV Analyse 2026-02-21

VERKOPER OPMERKINGS: Met ram lam Ms 25-199 en ooi lam Ms 25-200 van Mosco. Covexin 10, Glanvac, Blue Tongue, Anthrax, Multivax P Plus

LOT 44 (F)



dormer



J.L. DU RANDT

Elliot, Eastern Cape
0848808920
juandurandt12@gmail.com

MS 230030

MOUNTAIN SHADOWS EWE MS230030

. Kuddeboek	B	
Geb. dtm	2023-04-15	
Oud.	2.9 jaar	
Inteling	4.68%	
Geb. Status	1	
OEL	ILP	OPI
16.9m	-	93
Gelam	1	
Lammers (Soog)	1 (0)	
Gespeen	1	

J 200207 (2)
LEEUEWKOP RAM J 200207

Ouerskap Vaar Moer
DNS
Genomies

MS 190088 (2)
MOUNTAIN SHADOWS EWE MS190088

OEL	ILP	OPI
16.9	ILP 438	OPI 100
Gelam 5	Lammers 6	Gespeen 5

J 170069
LEEUEWKOP RAM J 170069

J 180132
LEEUEWKOP EWE J180132

MS 180005
MOUNTAIN SHADOWS RAM MS 180005

GMO 150026
AVOCA EWE GMO 150026

DROERIVIER RAM DZ 140017

LEEUEWKOP OOI J 150236
OEL 23.8 | ILP 378 | OPI 102
Gelam 5 | Lammers 9 | Gespeen 6

LEEUEWKOP RAM J 150254

LEEUEWKOP EWE J130030
OEL 24 | ILP 366 | OPI 111
Gelam 4 | Lammers 9 | Gespeen 9

JOHANRI RAM JB160100

AVOCA EWE GMO 150061
OEL 24.5 | ILP 251 | OPI 90
Gelam 3 | Lammers 4 | Gespeen 4

HELDERHOEK RAM VE 110015

AVOCA EWE GMO130039
OEL 21.1 | ILP - | OPI 85
Gelam 1 | Lammers 1 | Gespeen 1

Groei			Reproduksie			
Spn. Dir.	Spn. Mat.	Na-Spn.	GLS	TWW	OEL	ILP
103	90	100	97	95	106	101
62%	55%	18%	40%	54%	35%	25%

Logix Meriete Indeks	101	Geb. Gew.	4kg
Groei Indeks	101	Speen Gew.	33kg (107)
Reproduksie Indeks	97	Na-Speen	-
		Volw. Gew.	-
		GDT Ind.	-
		VOV Ind.	-
		Skrotum	-

LOGIX
SA Stud Book
EBV Analyse 2026-02-21

VERKOPER OPMERKINGS: Met ooi lam Ms 25-220 van Mosco. Covexin 10, Glanvac, Blue Tongue, Anthrax, Multivax P Plus

LOT 45 (F)



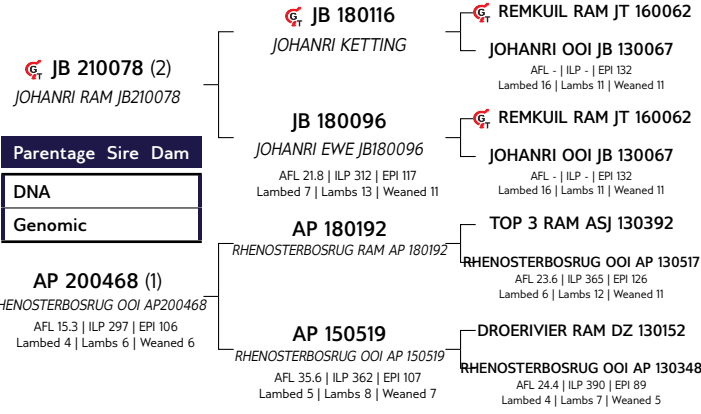
VS 230303
VREDESIG OOI VS 230303

Herd Book	SP	
Birth date	2023-08-01	
Age	2.6 years	
Inbreeding	4.44%	
Birth Stat.	2	
AFL	ILP	EPI
19.3m	-	98
Lambled	1	
Lambs (Sucking)	1 (0)	
Weaned	1	

VREDESIG FORBES



Darling, Western Cape
0825442336
wijjforbes@gmail.com



Growth			Reproduction			
Wn. Dir.	Wean Mat.	Post-Wn.	NLW	TWW	AFL	ILP
109	94	114	79	88	99	78
58%	53%	47%	41%	52%	38%	28%

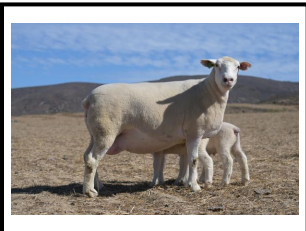
LOGIX
genetics centre
EBV Analysis 2026-02-21

Logix Merit Index	94
Growth Index	109
Reproduction Index	83

Birth Wt.	4kg
Wean Wt.	33.5kg (105)
Post-Wean	57.8kg (100)
Mature Wt.	-
ADG Ind.	-
FCR Ind.	-
Scrotum	-

SELLER REMARKS: Ketting kleindogter met goeie bouvorm. Met ram lammers 24, 25 en 26, waar is J 20 207. Entings; Inmeva, Blu Vax, Glenvac 3 en Clostrivax O

LOT 46 (F)



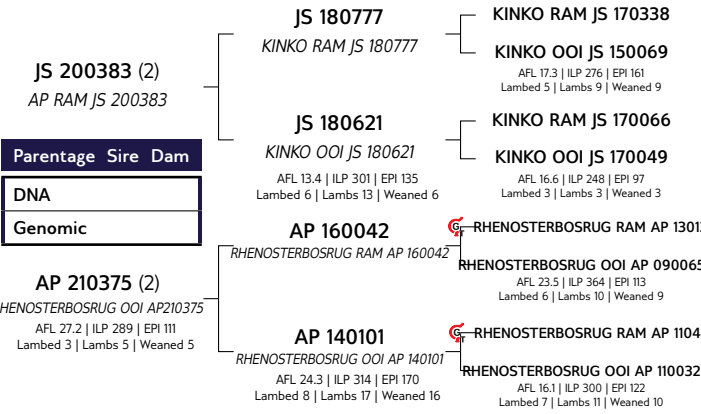
VS 230353
VREDESIG EWE VS230353

Herd Book	SP	
Birth date	2023-08-22	
Age	2.6 years	
Inbreeding	5.03%	
Birth Stat.	2	
AFL	ILP	EPI
18.7m	-	96
Lambled	1	
Lambs (Sucking)	2 (0)	
Weaned	1	

VREDESIG FORBES



Darling, Western Cape
0825442336
wijjforbes@gmail.com



Growth			Reproduction			
Wn. Dir.	Wean Mat.	Post-Wn.	NLW	TWW	AFL	ILP
99	103	102	98	99	104	113
63%	56%	51%	40%	55%	38%	25%

LOGIX
genetics centre
EBV Analysis 2026-02-21

Logix Merit Index	104
Growth Index	103
Reproduction Index	106

Birth Wt.	4.2kg
Wean Wt.	34kg (79)
Post-Wean	48kg (90)
Mature Wt.	-
ADG Ind.	-
FCR Ind.	-
Scrotum	-

SELLER REMARKS: OOI MET GOEIE SYFERS EN BOUVORM MET LAMMERS VS26034 R EN VS26035 (O) EN VS26036 R VADER IS VS240500. ENTINGS: INMEVA, BLU VAX, GLENVAC 3 EN CLOSTIVAX O

LOT 47 (F)



dormer



LEEUKOP DORMERS



Rouxville, Free State

0710440838

charleschurch89@icloud.com

J 230053

LEEUKOP OOI J 230053

Herd Book	SP
Birth date	2023-06-29
Age	2.7 years
Inbreeding	10.4%
Birth Stat.	1

AFL	ILP	EPI
-	-	-

JB 200084 (2)
JOHANRI RAM JB200084

Parentage Sire Dam

DNA

Genomic

J 200115 (2)
LEEUKOP OOI J 200115

AFL 24.2 | ILP 361 | EPI 109
Lambd 4 | Lambs 6 | Weaned 6

JB 180008
JOHANRI RAM JB180008

JB 180040
JOHANRI EWE JB180040
AFL 22.4 | ILP 372 | EPI 107
Lambd 6 | Lambs 10 | Weaned 10

JB 180071
JOHANRI RAM JB180071

J 170066
LEEUKOP OOI J 170066
AFL 23.4 | ILP 392 | EPI 136
Lambd 7 | Lambs 12 | Weaned 10

REMKUIL RAM JT 160062
JOHANRI EWE JB170005
AFL 15.6 | ILP 361 | EPI 138
Lambd 6 | Lambs 13 | Weaned 13

JOHANRI RAM JB160174
JOHANRI OOI JB 100034
AFL - | ILP - | EPI 227
Lambd 19 | Lambs 20 | Weaned 18

JOHANRI BARNARD
JOHANRI OOI JB 100034
AFL - | ILP - | EPI 227
Lambd 19 | Lambs 20 | Weaned 18

LEEUKOP RAM J 150254
LEEUKOP OOI J 150227
AFL 23.8 | ILP 368 | EPI 106
Lambd 5 | Lambs 7 | Weaned 6



Growth			Reproduction			
Wn. Dir.	Wean Mat.	Post-Wn.	NLW	TWW	AFL	ILP
101	91	102	83	85	94	101
63%	56%	41%	44%	56%	42%	30%

Logix Merit Index	90
Growth Index	99
Reproduction Index	84

Birth Wt.	4kg
Wean Wt.	32.6kg (106)
Post-Wean	-
Mature Wt.	-
ADG Ind.	-
FCR Ind.	-
Scrotum	-

SELLER REMARKS: Ooi met goeie syfers en bouvorm. Met lammers 34(R), 35(O) en 36(R), vaar is VS 24 500. Entings: Inmeva, Blu Vax, Glenvac 3 en Clostrivax O

LOT 48 (F)



LEEUEWKOP DORMERS



Rouxville, Free State
0710440838
charleschurch89@icloud.com

J 220193

LEEUEWKOP OOI J 220193

Kuddeboek	SP
Geb. dtm	2022-07-15
Oud.	3.7 jaar
Inteling	5.95%
Geb. Status	1

OEL	ILP	OPI
23.3m	-	96

Gelam	1
Lammers (Soog)	2 (0)
Gespeen	2

J 200127 (1)
LEEUEWKOP RAM J 200127

Ouerskap Vaar Moer
DNS
Genomies

J 190157 (3)
LEEUEWKOP EWE J190157

J 180003
LEEUEWKOP RAM J180003

- LEEUEWKOP OOI J 160047
OEL 23.8 | ILP 395 | OPI 110
Gelam 4 | Lammers 7 | Gespeen 6

J 180053
LEEUEWKOP EWE J180053

- LEEUEWKOP RAM J 150254
- LEEUEWKOP OOI J 150094
OEL 27.1 | ILP 333 | OPI 108
Gelam 4 | Lammers 8 | Gespeen 7

J 160083
JOHANRI RAM JB160083

- JOHANRI OOI JB 120196
OEL - | ILP - | OPI 127
Gelam 11 | Lammers 11 | Gespeen 8

J 160171
LEEUEWKOP OOI J 160171

- LEEUEWKOP RAM J 140216
- LEEUEWKOP OOI J 120004
OEL 24.7 | ILP 362 | OPI 97
Gelam 4 | Lammers 9 | Gespeen 6

Groeï			Reproduksie			
Spn. Dir.	Spn. Mat.	Na-Spn.	GLS	TWW	OEL	ILP
77	99	78	97	82	136	101
59%	57%	26%	40%	54%	38%	25%

Logix Meriete Indeks 89

Groeï Indeks 77

Reproduksie Indeks 106

Geb. Gew.	4kg
Speen Gew.	30.1kg (88)
Na-Speen	-
Volw. Gew.	-
GDT Ind.	-
VOV Ind.	-
Skrotum	-



VERKOPER OPMERKINGS: DRAGTIG MET 1 LING VAN RAM J230107

LOT 49 (F)



HEYMAN DORMERS

Koffiefontein, Free State
0641089587
dirkheyman199511@gmail.com

DH 230125

DH TAFELKOP OOI DH 230125

Kuddeboek	SP
Geb. dtm	2023-08-23
Oud.	2.6 jaar
Inteling	5.81%
Geb. Status	2

OEL	ILP	OPI
20.4m	-	101

Gelam	1
Lammers (Soog)	2 (0)
Gespeen	2

J 200048 (1)
JOHANRI RAM JB200048

Ouerskap Vaar Moer
DNS
Genomies

GMO 160010 (1)
AVOCA EWE GMO160010

J 180116
JOHANRI KETTING

- JOHANRI OOI JB 130067
OEL - | ILP - | OPI 132
Gelam 16 | Lammers 11 | Gespeen 11

J 180114
JOHANRI EWE JB180114

- JOHANRI BARNARD
- JOHANRI OOI JB 150044
OEL - | ILP - | OPI 86
Gelam 6 | Lammers 2 | Gespeen -

DZ 100045
DROERIVIER RAM DZ 100045

- J.O.R RAM JOR 080277
- DROERIVIER OOI DZ04058
OEL 15.4 | ILP 327 | OPI 175
Gelam 7 | Lammers 13 | Gespeen 13

GMO 130044
AVOCA EWE GMO130044

- AVOCA RAM GMO120002
- EVERSAR OOI CN 070053
OEL 18.3 | ILP 581 | OPI 88
Gelam 4 | Lammers 4 | Gespeen 3

Groeï			Reproduksie			
Spn. Dir.	Spn. Mat.	Na-Spn.	GLS	TWW	OEL	ILP
100	82	98	90	86	90	77
64%	62%	37%	48%	60%	46%	35%

Logix Meriete Indeks 86

Groeï Indeks 93

Reproduksie Indeks 80

Geb. Gew.	5kg
Speen Gew.	44.3kg (120)
Na-Speen	-
Volw. Gew.	-
GDT Ind.	-
VOV Ind.	-
Skrotum	-



VERKOPER OPMERKINGS: Krone dogter, selfde ma as lot 3. Dragtig met 1ling van Hilux DZ23 194

LOT 50 (F)



HEYMAN DORMERS

Koffiefontein, Free State
0641089587
dirkheyman199511@gmail.com

DH 220052

DH TAFELKOP OOI DH 220052

Kuddeboek	SP
Geb. dtm	2022-08-26
Oud.	3.5 jaar
Inteling	5.3%
Geb. Status	1

OEL	ILP	OPI
12.9m	-	91

Gelam	1
Lammers (Soog)	1 (0)
Gespeen	1

J 200036 (2)
JOHANRI JUNIOR

Ouerskap Vaar Moer
DNS
Genomies

GMO 180009 (2)
AVOCA EWE GMO180009

J 180064
JOHANRI RAM JB180064

- JOHANRI OOI JB 130071
OEL - | ILP - | OPI 135
Gelam 16 | Lammers 13 | Gespeen 12

J 180095
JOHANRI EWE JB180095

- REMKUIL RAM JT 160062
- JOHANRI OOI JB 130067
OEL - | ILP - | OPI 132
Gelam 16 | Lammers 11 | Gespeen 11

J 150006
WELPIC RAM JP150006

- JOHANRI RAM JB 120113
- LEEUEWKOP OOI J 080020
OEL 36 | ILP 345 | OPI 159
Gelam 6 | Lammers 12 | Gespeen 12

GMO 150090
AVOCA OOI GMO150090

- WELPIC RAM JP130015
- AVOCA EWE GMO 110020
OEL 15.8 | ILP 376 | OPI 108
Gelam 7 | Lammers 9 | Gespeen 8

Groeï			Reproduksie			
Spn. Dir.	Spn. Mat.	Na-Spn.	GLS	TWW	OEL	ILP
80	99	83	91	80	95	92
63%	59%	29%	47%	58%	43%	31%

Logix Meriete Indeks 79

Groeï Indeks 81

Reproduksie Indeks 89

Geb. Gew.	5kg
Speen Gew.	33.1kg (105)
Na-Speen	-
Volw. Gew.	-
GDT Ind.	-
VOV Ind.	-
Skrotum	-



VERKOPER OPMERKINGS: Junior dogter, Dragtig met 1-ling van Ariat DH24 018

LOT 51 (F)



J.L. DU RANDT



Elliot, Eastern Cape
0848808920
juandurandt12@gmail.com

MS 220054

MOUNTAIN SHADOWS EWE MS220054

Herd Book	SP	
Birth date	2022-03-15	
Age	4 years	
Inbreeding	4.21%	
Birth Stat.	3	
AFL	ILP	EPI
30.2m	221d	100
Lambled	3	
Lambs (Sucking)	4 (1)	
Weaned	3	

JT 190228 (1)
REMKUIL RAM JT 190228

Parentage Sire Dam

DNA

Genomic

MS 190020 (2)
MOUNTAIN SHADOWS EWE MS190020
AFL 15.8 | ILP 431 | EPI 101
Lambled 4 | Lambs 9 | Weaned 9

NB 170006
NOVA BARLETTA RAM NB170006

JT 160166
REMKUIL OOI JT 160166
AFL 16.5 | ILP 314 | EPI 78
Lambled 4 | Lambs 4 | Weaned 2

JP 170028
WELPIC RAM JP170028

GMO 140062
AVOCA EWE GMO140062
AFL 20.6 | ILP 360 | EPI 113
Lambled 7 | Lambs 11 | Weaned 11

EVERSAR RAM CN140127
NOVA BARLETTA EWE NB140096
AFL 25.1 | ILP 330 | EPI 96
Lambled 3 | Lambs 5 | Weaned 4

REMKUIL RAM JT 130357
REMKUIL OOI JT 110350
AFL 36.1 | ILP 714 | EPI 96
Lambled 2 | Lambs 4 | Weaned 4

JOHANRI RAM JB 110054
WELPIC EWE JP150026
AFL 22.5 | ILP 365 | EPI 104
Lambled 6 | Lambs 12 | Weaned 10

HELDERHOEK RAM VE 110015
AVOCA EWE GMO120018
AFL 27.2 | ILP 360 | EPI 98
Lambled 6 | Lambs 8 | Weaned 6



EBV Analysis 2026-02-21

Growth			Reproduction			
Wn. Dir.	Wean Mat.	Post-Wn.	NLW	TWW	AFL	ILP
94	91	94	118	106	100	103
65%	63%	35%	46%	60%	41%	32%

Logix Merit Index	104
Growth Index	92
Reproduction Index	111

Birth Wt.	3kg
Wean Wt.	26.2kg (113)
Post-Wean	-
Mature Wt.	-
ADG Ind.	-
FCR Ind.	-
Scrotum	-

SELLER REMARKS: Met ram lam Ms 25-221 van Mosco. Covexin 10, Glanvac, Blue Tongue, Anthrax, Multivax P Plus

LOT 52 (F)



J.L. DU RANDT



Elliot, Eastern Cape
0848808920
juandurandt12@gmail.com

MS 220015

MOUNTAIN SHADOWS EWE MS220015

Herd Book	SP	
Birth date	2022-03-14	
Age	4 years	
Inbreeding	4.39%	
Birth Stat.	1	
AFL	ILP	EPI
30m	241d	97
Lambled	2	
Lambs (Sucking)	3 (0)	
Weaned	3	

JT 190228 (1)
REMKUIL RAM JT 190228

Parentage Sire Dam

DNA

Genomic

MS 200052 (2)
MOUNTAIN SHADOWS EWE MS200052
AFL 22.1 | ILP 322 | EPI 135
Lambled 5 | Lambs 6 | Weaned 5

NB 170006
NOVA BARLETTA RAM NB170006

JT 160166
REMKUIL OOI JT 160166
AFL 16.5 | ILP 314 | EPI 78
Lambled 4 | Lambs 4 | Weaned 2

MS 180017
MOUNTAIN SHADOWS RAM MS 180017

MS 190056
MOUNTAIN SHADOWS EWE MS190056
AFL 12.4 | ILP 564 | EPI 94
Lambled 3 | Lambs 6 | Weaned 5

EVERSAR RAM CN140127
NOVA BARLETTA EWE NB140096
AFL 25.1 | ILP 330 | EPI 96
Lambled 3 | Lambs 5 | Weaned 4

REMKUIL RAM JT 130357
REMKUIL OOI JT 110350
AFL 36.1 | ILP 714 | EPI 96
Lambled 2 | Lambs 4 | Weaned 4

JOHANRI RAM JB160100
LEEUEWKOP OOI | 140034
AFL 24.1 | ILP 311 | EPI 95
Lambled 4 | Lambs 6 | Weaned 6

WELPIC RAM JP170028
MOUNTAIN SHADOWS OOI MS 170017
AFL 11.6 | ILP 273 | EPI 122
Lambled 8 | Lambs 11 | Weaned 11



EBV Analysis 2026-02-21

Growth			Reproduction			
Wn. Dir.	Wean Mat.	Post-Wn.	NLW	TWW	AFL	ILP
95	85	95	108	97	101	106
63%	62%	33%	44%	58%	37%	30%

Logix Merit Index	98
Growth Index	90
Reproduction Index	101

Birth Wt.	4kg
Wean Wt.	25.1kg (108)
Post-Wean	-
Mature Wt.	-
ADG Ind.	-
FCR Ind.	-
Scrotum	-

SELLER REMARKS: Moontlik Dragtig loop by JB 23-57. Covexin 10, Glanvac, Blue Tongue, Anthrax, Multivax P Plus

LOT 53 (F)



VREDESIG FORBES



Darling, Western Cape
0825442336
wijforbes@gmail.com

VS 230029

VREDESIG EWE VS230029

Herd Book	SP	
Birth date	2023-04-14	
Age	2.9 years	
Inbreeding	4.53%	
Birth Stat.	2	
AFL	ILP	EPI
22.8m	-	97
Lambled	1	
Lambs (Sucking)	1 (0)	
Weaned	1	

PHR 210081 (2)
PHR RAM PHR 210081

Parentage Sire Dam

DNA

Genomic

PHR 200352 (2)
PHR OOI PHR 200352
AFL 18.8 | ILP 356 | EPI 122
Lambled 4 | Lambs 8 | Weaned 8

NB 180423
NOVA BARLETTA RAM NB180423

PHR 180437
PHR OOI PHR 170437
AFL 28.4 | ILP 367 | EPI 132
Lambled 5 | Lambs 10 | Weaned 9

VR 180366
VANOVIS RAM VR 180366

VR 160556
VANOVIS OOI VR160556
AFL 16.3 | ILP 314 | EPI 154
Lambled 9 | Lambs 16 | Weaned 14

JOHANRI APOLLO
NOVA BARLETTA EWE NB160336
AFL 18.2 | ILP 313 | EPI 110
Lambled 5 | Lambs 8 | Weaned 8

NOVA BARLETTA RAM NB150551
PHR OOI PHR 160592
AFL 19.9 | ILP 345 | EPI 197
Lambled 8 | Lambs 14 | Weaned 13

WELPIC RAM JP150008
KLEINKAMMA EWE DTW130023
AFL 22 | ILP 246 | EPI 114
Lambled 8 | Lambs 16 | Weaned 14

EAGLESCRAIG RAM RH 110095
VANOVIS OOI VR140087
AFL 15.8 | ILP 272 | EPI 117
Lambled 5 | Lambs 9 | Weaned 7



EBV Analysis 2026-02-21

Growth			Reproduction			
Wn. Dir.	Wean Mat.	Post-Wn.	NLW	TWW	AFL	ILP
99	116	103	90	98	98	102
62%	54%	54%	40%	54%	40%	26%

Logix Merit Index	103
Growth Index	110
Reproduction Index	104

Birth Wt.	3.6kg
Wean Wt.	33.2kg (102)
Post-Wean	82.8kg (100)
Mature Wt.	-
ADG Ind.	-
FCR Ind.	-
Scrotum	-

SELLER REMARKS: Ooi met goeie syfers en bouvorm. Met lammers 94(O) en 95 (O), vaar is VS 24 586. Entings: Inmeva , Blu Vax, Glanvac 3 en Clostrivax O

LOT 54 (F)



dormer



VS 230038
VREDESIG EWE VS230038

. Kuddeboek	SP	
Geb. dtm	2023-04-23	
Oud.	2.9 jaar	
Inteling	6.95%	
Geb. Status	1	
OEL	ILP	OPI
22.6m	-	102
Gelam	1	
Lammers (Soog)	2 (0)	
Gespeen	2	

VREDESIG FORBES



Darling, Western Cape
0825442336
wijjforbes@gmail.com

PHR 200411 (3)
PHR RAM PHR 200411

Ouerskap Vaar Moer

DNS

Genomies

PHR 210140 (3)
PHR OOI PHR 210140
OEL 19.1 | ILP - | OPI 89
Gelam 1 | Lammers 1 | Gespeen 1

PHR 190066
PHR RAM PHR 190066

PHR 180161
PHR OOI PHR180161
OEL 17.6 | ILP 334 | OPI 113
Gelam 4 | Lammers 7 | Gespeen 7

NB 180423
NOVA BARLETTA RAM NB180423

PHR 180242
PHR OOI PHR 180242
OEL 25.7 | ILP 366 | OPI 113
Gelam 3 | Lammers 7 | Gespeen 7

VANOVIS RAM VR 170184

PHR OOI PHR 160637
OEL 17.2 | ILP 329 | OPI 86
Gelam 3 | Lammers 6 | Gespeen 5

VAN ROOYEN RAM GV 150032

PHR OOI PHR 150243
OEL 16.1 | ILP 353 | OPI 129
Gelam 10 | Lammers 16 | Gespeen 9

JOHANRI APOLLO

NOVA BARLETTA EWE NB160336
OEL 18.2 | ILP 313 | OPI 110
Gelam 5 | Lammers 8 | Gespeen 8

J.O.R RAM JOR 160014

PHR OOI PHR 170015
OEL 17.2 | ILP 237 | OPI 101
Gelam 2 | Lammers 4 | Gespeen 4

Groeï			Reproduksie			
Spn. Dir.	Spn. Mat.	Na-Spn.	GLS	TWW	OEL	ILP
87	91	89	102	89	96	115
62%	58%	53%	39%	55%	40%	23%



EBV Analise 2026-02-21

Logix Meriete Indeks 90

Groeï Indeks 84

Reproduksie Indeks 97

Geb. Gew.	5kg
Speen Gew.	24.6kg (75)
Na-Speen	61.3kg (84)
Volw. Gew.	-
GDT Ind.	-
VOV Ind.	-
Skrotum	-

VERKOPER OPMERKINGS: Met ram lammers 5 en 6, vaar is VS 24 586. Entings; Inmeva , Blu Vax, Glenvac 3 en Clostrivax O.

LOT 55 (F)



dormer



J 210207
LEEUEWKOP OOI J 210207

. Kuddeboek	SP	
Geb. dtm	2021-07-24	
Oud.	4.6 jaar	
Inteling	6.32%	
Geb. Status	1	
OEL	ILP	OPI
23.3m	363d	92
Gelam	2	
Lammers (Soog)	2 (0)	
Gespeen	2	

LEEUEWKOP DORMERS



Rouxville, Free State
0710440838
charleschurch89@icloud.com

J 190124 (2)
LEEUEWKOP RAM J190124

Ouerskap Vaar Moer

DNS

Genomies

J 170147 (1)
LEEUEWKOP OOI J 170147
OEL 23.2 | ILP 374 | OPI 99
Gelam 4 | Lammers 5 | Gespeen 5

JB 160084
JOHANRI APOLLO

J 160049
LEEUEWKOP OOI J 160049
OEL 23.9 | ILP 356 | OPI 89
Gelam 2 | Lammers 3 | Gespeen 3

J 150246
LEEUEWKOP RAM J 150246

J 150216
LEEUEWKOP OOI J 150216
OEL 24 | ILP 363 | OPI 96
Gelam 4 | Lammers 5 | Gespeen 5

JOHANRI RAM JB 140174

JOHANRI OOI JB 120196
OEL - | ILP - | OPI 127
Gelam 11 | Lammers 11 | Gespeen 8

LEEUEWKOP RAM J 140216

LEEUEWKOP OOI J 110041
OEL 24.4 | ILP 362 | OPI 113
Gelam 5 | Lammers 8 | Gespeen 7

LEEUEWKOP RAM J 130175

LEEUEWKOP OOI J 100252
OEL 23.5 | ILP 368 | OPI 108
Gelam 4 | Lammers 7 | Gespeen 7

JOHANRI BARNARD

LEEUEWKOP OOI J 110061
OEL 24.1 | ILP 368 | OPI 94
Gelam 3 | Lammers 4 | Gespeen 4

Groeï			Reproduksie			
Spn. Dir.	Spn. Mat.	Na-Spn.	GLS	TWW	OEL	ILP
104	88	101	80	84	122	89
63%	60%	34%	46%	58%	43%	35%



EBV Analise 2026-02-21

Logix Meriete Indeks 94

Groeï Indeks 101

Reproduksie Indeks 87

Geb. Gew.	4kg
Speen Gew.	37.4kg (121)
Na-Speen	-
Volw. Gew.	-
GDT Ind.	-
VOV Ind.	-
Skrotum	-

VERKOPER OPMERKINGS: DRAGTIG MET 2 LING VAN J230107

LOT 56 (F)



LEEUEWKOP DORMERS



Rouxville, Free State
0710440838
charleschurch89@icloud.com

J 210069

LEEUEWKOP OOI J 210069

dormer



. Kuddeboek	SP
Geb. dtm	2021-07-07
Oud.	4.7 jaar
Inteling	5.64%
Geb. Status	1

OEL	ILP	OPI
24.2m	415d	89

Gelam	2
-------	---

Lammers (Soog)	3 (0)
----------------	-------

Gespeen	2
---------	---

J 180003 (2)

LEEUEWKOP RAM J180003

Ouerskap Vaar Moer

DNS

Genomies

J 190256 (2)

LEEUEWKOP EWE J190256

OEL 24 | ILP 373 | OPI 86
Gelam 2 | Lammers 2 | Gespeen 2

J 160133

LEEUEWKOP RAM J 160133

HELDERHOEK RAM VE 130035

LEEUEWKOP OOI J 130235
OEL 23.6 | ILP 370 | OPI 102
Gelam 4 | Lammers 7 | Gespeen 7

J 160047

LEEUEWKOP OOI J 160047

OEL 23.8 | ILP 395 | OPI 110
Gelam 4 | Lammers 7 | Gespeen 6

EVERSAR RAM CNI20049

LEEUEWKOP OOI J 110115
OEL 36.2 | ILP 363 | OPI 110
Gelam 5 | Lammers 9 | Gespeen 7

J 170068

LEEUEWKOP RAM J 170068

LEEUEWKOP RAM J150133

LEEUEWKOP OOI J 110041
OEL 24.4 | ILP 362 | OPI 113
Gelam 5 | Lammers 8 | Gespeen 7

J 160099

LEEUEWKOP OOI J160099

OEL 24.4 | ILP 363 | OPI 102
Gelam 3 | Lammers 6 | Gespeen 6

LEEUEWKOP RAM J 140025

LEEUEWKOP OOI J 120334
OEL 35.5 | ILP 368 | OPI 114
Gelam 6 | Lammers 11 | Gespeen 8

Groeï			Reproduksie			
Spn. Dir.	Spn. Mat.	Na-Spn.	GLS	TWW	OEL	ILP
91	98	91	103	96	131	94
61%	58%	22%	40%	55%	39%	30%

LOGIX
EBV Analise 2026-02-21

Logix Meriete Indeks **102**

Groeï Indeks **92**

Reproduksie Indeks **111**

Geb. Gew.	4kg
Speen Gew.	31.4kg (102)
Na-Speen	-
Volw. Gew.	-
GDT Ind.	-
VOV Ind.	-
Skrotum	-

VERKOPER OPMERKINGS: DRAGTIG MET
1 LING VAN J230107

LOT 57 (F)



HEYMAN DORMERS
Koffiefontein, Free State
0641089587
dirkheyman199511@gmail.com



DH 220045

DH TAFELKOP OOI DH 220045

Herd Book	SP	
Birth date	2022-08-23	
Age	3.6 years	
Inbreeding	5.44%	
Birth Stat.	1	
AFL	ILP	EPI
23.2m	381d	110
Lambled	2	
Lambs (Sucking)	4 (0)	
Weaned	4	

JB 200036 (2)
JOHANRI JUNIOR

Parentage Sire Dam

DNA

Genomic

GMO 170097 (1)

AVOCA EWE GMO 170097
AFL 11.9 | ILP 353 | EPI 108
Lambled 7 | Lambs 9 | Weaned 8

JB 180064

JOHANRI RAM JB180064

JOHANRI APOLLO

JOHANRI OOI JB 130071
AFL - | ILP - | EPI 135
Lambled 16 | Lambs 13 | Weaned 12

JB 180095

JOHANRI EWE JB180095

REMKUIL RAM JT 160062

JOHANRI OOI JB 130067
AFL - | ILP - | EPI 132
Lambled 16 | Lambs 11 | Weaned 11

JP 150006

WELPIC RAM JP150006

JOHANRI RAM JB 120113

LEEUEWKOP OOI J 080020
AFL 36 | ILP 345 | EPI 159
Lambled 6 | Lambs 12 | Weaned 12

GMO 140053

AVOCA EWE GMO140053

HELDERHOEK RAM VE 110015

AVOCA EWE GMO120003
AFL 27.7 | ILP 342 | EPI 113
Lambled 7 | Lambs 9 | Weaned 9

Growth			Reproduction			
Wn. Dir.	Wean Mat.	Post-Wn.	NLW	TWW	AFL	ILP
85	99	87	94	85	94	87
66%	66%	29%	49%	62%	43%	35%

Logix Merit Index	84
Growth Index	86
Reproduction Index	92

Birth Wt.	3kg
Wean Wt.	31.1kg (99)
Post-Wean	-
Mature Wt.	-
ADG Ind.	-
FCR Ind.	-
Scrotum	-

LOGIX
ANALYSIS CENTRE
EBV Analysis 2026-02-21

SELLER REMARKS: Junior dogter, Dragtig met 1-ling van Ariat DH24 018

LOT 58 (F)



HEYMAN DORMERS
Koffiefontein, Free State
0641089587
dirkheyman199511@gmail.com



DH 230170

DH TAFELKOP OOI DH 230170

Herd Book	SP	
Birth date	2023-09-06	
Age	2.5 years	
Inbreeding	5.19%	
Birth Stat.	2	
AFL	ILP	EPI
19.9m	-	102
Lambled	1	
Lambs (Sucking)	2 (0)	
Weaned	2	

DH 210109 (2)

DH TAFELKOP RAM DH210109

Parentage Sire Dam

DNA

Genomic

DH 200049 (1)

DH TAFELKOP OOI DH 200049
AFL 25.1 | ILP 368 | EPI 92
Lambled 2 | Lambs 3 | Weaned 3

GH 190040

MERTOUN RAM GH190040

DROERIVIER RAM DZ 140020

MERTOUN EWE GH170021
AFL 17.7 | ILP - | EPI 87
Lambled 1 | Lambs 2 | Weaned 2

VE 180031

HELDERHOEK OOI VE 180031

JOHANRI RAM JB160021

HELDERHOEK OOI VE 160002
AFL 23.8 | ILP 345 | EPI 125
Lambled 5 | Lambs 7 | Weaned 6

NH 190008

RENOSTERVALLEI RAM NH190008

DROERIVIER RAM DZ 140017

RENOSTERVALLEI EWE NH150019
AFL 29.9 | ILP 405 | EPI 97
Lambled 2 | Lambs 3 | Weaned 3

DH 180022

DH TAFELKOP OOI DH180022

AFL - | ILP 383 | EPI 97
Lambled 3 | Lambs 5 | Weaned 5

Growth			Reproduction			
Wn. Dir.	Wean Mat.	Post-Wn.	NLW	TWW	AFL	ILP
68	110	75	93	78	96	116
58%	54%	23%	34%	51%	34%	22%

Logix Merit Index	77
Growth Index	73
Reproduction Index	98

Birth Wt.	4kg
Wean Wt.	35.5kg (96)
Post-Wean	-
Mature Wt.	-
ADG Ind.	-
FCR Ind.	-
Scrotum	-

LOGIX
ANALYSIS CENTRE
EBV Analysis 2026-02-21

SELLER REMARKS:

LOT 59 (F)



J.L. DU RANDT
Elliot, Eastern Cape
0848808920
juandurandt12@gmail.com



MS 220016

MOUNTAIN SHADOWS EWE MS220016

Herd Book	SP	
Birth date	2022-03-14	
Age	4 years	
Inbreeding	4.14%	
Birth Stat.	1	
AFL	ILP	EPI
29.9m	231d	98
Lambled	2	
Lambs (Sucking)	3 (0)	
Weaned	3	

JT 190228 (1)

REMKUIL RAM JT 190228

Parentage Sire Dam

DNA

Genomic

MS 170025 (1)

MOUNTAIN SHADOWS EWE MS170025
AFL 18.9 | ILP 317 | EPI 109
Lambled 8 | Lambs 14 | Weaned 11

NB 170006

NOVA BARLETTA RAM NB170006

EVERSAR RAM CN140127

NOVA BARLETTA EWE NB140096
AFL 25.1 | ILP 330 | EPI 96
Lambled 3 | Lambs 5 | Weaned 4

JT 160166

REMKUIL OOI JT 160166

REMKUIL RAM JT 130357

REMKUIL OOI JT 110350
AFL 36.1 | ILP 714 | EPI 96
Lambled 2 | Lambs 4 | Weaned 4

VE 110015

HELDERHOEK RAM VE 110015

DANELLA RAM VZ 060065

HELDERHOEK OOI VE 080124
AFL 22.1 | ILP 407 | EPI 117
Lambled 5 | Lambs 7 | Weaned 6

T 120053

2BROERS OOI T 120053

2BROERS RAM T 100177

LEEUEWKOP OOI J 070239
AFL 27.2 | ILP 338 | EPI 127
Lambled 5 | Lambs 9 | Weaned 6

Growth			Reproduction			
Wn. Dir.	Wean Mat.	Post-Wn.	NLW	TWW	AFL	ILP
86	81	86	105	88	103	104
66%	64%	35%	49%	61%	42%	33%

Logix Merit Index	87
Growth Index	78
Reproduction Index	94

Birth Wt.	4kg
Wean Wt.	19.2kg (83)
Post-Wean	-
Mature Wt.	-
ADG Ind.	-
FCR Ind.	-
Scrotum	-

LOGIX
ANALYSIS CENTRE
EBV Analysis 2026-02-21

SELLER REMARKS: Dragtig van JB 23-57 Lamdatum Mei. Covexin 10, Glanvac, Blue Tongue, Anthrax, Multivax P Plus

LOT 60 (F)



J.L. DU RANDT



Elliot, Eastern Cape
0848808920
juandurandt12@gmail.com

MS 230149

MOUNTAIN SHADOWS OOI MS 230149

Kuddeboek	SP	
Geb. dtm	2023-11-15	
Oud.	2.3 jaar	
Inteling	6.72%	
Geb. Status	1	
OEL	ILP	OPI
-	-	-



DZ 210129 (2) DROERIVIER RAM DZ 210129
Ouerskap Vaar Moer
DNS
Genomies

MS 180016 (2) MOUNTAIN SHADOWS OOI MS 180016 OEL 11.9 ILP 282 OPI 123 Gelum 8 Lammers 12 Gespeen 12
--

♂ T 190243 ZBROERS RAM T190243	HELDERHOEK RAM VE 130035 2BROERS OOI T 160060 OEL 15.2 ILP 504 OPI 84 Gelum 3 Lammers 5 Gespeen 5
DZ 190333 DROERIVIER OOI DZ 190333 OEL 16 ILP 299 OPI 115 Gelum 6 Lammers 11 Gespeen 11	♂ JOHANRI APOLLO DROERIVIER OOI DZ 160220 OEL 15.4 ILP 453 OPI 153 Gelum 11 Lammers 21 Gespeen 18
JB 160100 JOHANRI RAM JB160100	JOHANRI RAM JB 140174 JOHANRI OOI JB 120165 OEL 32.9 ILP 332 OPI 129 Gelum 7 Lammers 13 Gespeen 10
J 140034 LEEUEWKOP OOI J 140034 OEL 24.1 ILP 311 OPI 95 Gelum 4 Lammers 6 Gespeen 6	JABUWY RAM K 110158 LEEUEWKOP OOI J 100051 OEL 24 ILP 373 OPI 103 Gelum 4 Lammers 6 Gespeen 6

Groei			Reproduksie			
Spn. Dir.	Spn. Mat.	Na-Spn.	GLS	TWW	OEL	ILP
98	98	99	101	98	108	98
61%	52%	29%	41%	53%	34%	28%

Logix Meriete Indeks	102	Geb. Gew.	4kg
Groei Indeks	99	Speen Gew.	44.7kg (129)
Reproduksie Indeks	104	Na-Speen	-
		Volw. Gew.	-
		GDT Ind.	-
		VOV Ind.	-
		Skrotum	-

LOGIX
GENETICS
EBV Analise 2026-02-21

VERKOPER OPMERKINGS: Dragtig lamdatum April/Mei. Covexin 10, Glanvac, Blue Tongue, Anthrax, Multivax P Plus

LOT 61 (F)



VREDESIG FORBES



Darling, Western Cape
0825442336
wijforbes@gmail.com

VS 240581

VREDESIG OOI VS 240581

Kuddeboek	SP	
Geb. dtm	2024-08-24	
Oud.	1.6 jaar	
Inteling	4.41%	
Geb. Status	1	
OEL	ILP	OPI
-	-	-



♂ DZ 210297 (2) DROERIVIER DALLAS
Ouerskap Vaar Moer
DNS
Genomies

AP 190300 (1) RHENOSTERBOSRUG OOI AP 190300 OEL - ILP - OPI 119 Gelum 8 Lammers 7 Gespeen 7
--

♂ DZ 190389 DROERIVIER PAYBACK	♂ JOHANRI APOLLO DROERIVIER OOI DZ 150162 OEL 19.9 ILP 402 OPI 124 Gelum 6 Lammers 11 Gespeen 11
DZ 200084 DROERIVIER OOI DZ 200084 OEL - ILP - OPI 117 Gelum 8 Lammers 10 Gespeen 10	DROERIVIER RAM DZ 170116 DROERIVIER OOI DZ 160086 OEL 16.1 ILP 482 OPI 125 Gelum 9 Lammers 16 Gespeen 16
AP 160078 RHENOSTERBOSRUG RAM AP 160078	RHENOSTERBOSRUG RAM AP 140465 RHENOSTERBOSRUG OOI AP 140064 OEL 23.9 ILP 351 OPI 84 Gelum 3 Lammers 4 Gespeen 3
AP 140010 RHENOSTERBOSRUG OOI AP 140010 OEL 24.5 ILP 364 OPI 93 Gelum 4 Lammers 5 Gespeen 5	RHENOSTERBOSRUG RAM AP 110429 RHENOSTERBOSRUG OOI AP 110349 OEL 24.2 ILP 364 OPI 115 Gelum 5 Lammers 9 Gespeen 9

Groei			Reproduksie			
Spn. Dir.	Spn. Mat.	Na-Spn.	GLS	TWW	OEL	ILP
101	116	111	100	107	115	109
64%	56%	59%	43%	56%	42%	28%

Logix Meriete Indeks	115	Geb. Gew.	3kg
Groei Indeks	113	Speen Gew.	45kg (115)
Reproduksie Indeks	118	Na-Speen	56.2kg (100)
		Volw. Gew.	-
		GDT Ind.	-
		VOV Ind.	-
		Skrotum	-

LOGIX
GENETICS
EBV Analise 2026-02-21

VERKOPER OPMERKINGS: Ooi met goeie syfers en bouvorm. Met lam 32 (O), vaar is DZ 21 297. Entings: Inmeva, Blu Vax, Glanvac 3 en Clostrivax O.

LOT 62 (F)



VREDESIG FORBES



Darling, Western Cape
0825442336
wijjforbes@gmail.com

dormer



VS 240501

VREDESIG OOI VS 240501

Kuddeboek	SP	
Geb. dtm	2024-07-25	
Oud.	1.6 jaar	
Inteling	4.16%	
Geb. Status	1	
OEL	ILP	OPI
-	-	-

D 200126 (2)
BES RAM D200126

Ouerskap Vaar Moer

DNS

Genomies

JB 220101 (2)
JOHANRI EWE JB220101
OEL 24 | ILP 296 | OPI 93
Gelam 2 | Lammers 2 | Gespeen 1

JOR 180020
J.O.R RAM JOR 180020
J.O.R RAM JOR 160035
J.O.R OOI JOR 130277
OEL 20.7 | ILP 329 | OPI 106
Gelam 4 | Lammers 4 | Gespeen 4

D 130014
BES OOI D 130014
OEL 16.3 | ILP 376 | OPI 301
Gelam 10 | Lammers 23 | Gespeen 21
RHENOSTERBOSRUG RAM AP 080018
REMKUIL OOI JT 070376
OEL 28.8 | ILP 473 | OPI 118
Gelam 5 | Lammers 7 | Gespeen 5

JB 200072
JOHANRI RAM JB200072
JOHANRI RAM JB180064
JOHANRI EWE JB180078
OEL 22.2 | ILP 365 | OPI 90
Gelam 4 | Lammers 5 | Gespeen 5

JB 190004
JOHANRI EWE JB190004
OEL 23.8 | ILP 378 | OPI 123
Gelam 5 | Lammers 10 | Gespeen 10
JOHANRI RAM JB180008
JOHANRI OOI JB 130068
OEL - | ILP - | OPI 153
Gelam 16 | Lammers 16 | Gespeen 15

LOGIX
GENOMICS CHAIR
EBV Analyse 2026-02-21

Groeï			Reproduksie			
Spn. Dir.	Spn. Mat.	Na-Spn.	GLS	TWW	OEL	ILP
106	84	96	90	90	77	100
62%	50%	51%	38%	52%	38%	26%

Logix Meriete Indeks 91

Groeï Indeks 101

Reproduksie Indeks 81

Geb. Gew.	3kg
Speen Gew.	39.6kg (106)
Na-Speen	53.7kg (96)
Volw. Gew.	-
GDT Ind.	-
VOV Ind.	-
Skrotum	-

VERKOPER OPMERKINGS: Wolf dogter met goeie bouvorm. Met lammers, 30 (R) en 31 (O) vaar is J 20 207. Entings: Inmeva, Blu Vax, Glenvac 3 en Clostrivax O

LOT 63 (F)



dormer



LEEUEWKOP DORMERS



Rouxville, Free State
0710440838
charleschurch89@icloud.com

J 200073

LEEUEWKOP OOI J 200073

Herd Book	SP
Birth date	2020-07-06
Age	5.7 years
Inbreeding	8.22%
Birth Stat.	1

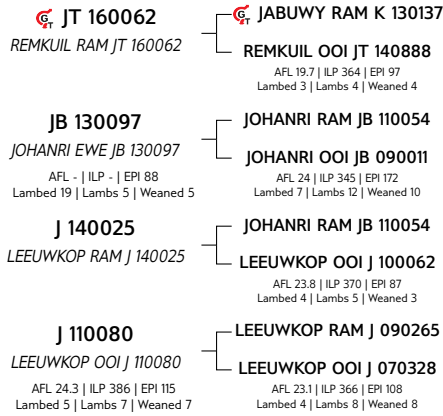
AFL	ILP	EPI
24.1m	354d	96

Lambled	3
Lambs (Sucking)	4 (0)
Weaned	4

CL 180125 (1)
HAPPY VENTURE RAM CL180125

Parentage Sire Dam
DNA
Genomic

J 160191 (2)
LEEUEWKOP OOI J 160191
AFL 23.7 | ILP 367 | EPI 103
Lambled 5 | Lambs 6 | Weaned 5



Growth			Reproduction			
Wn. Dir.	Wean Mat.	Post-Wn.	NLW	TWW	AFL	ILP
91	108	95	81	83	96	99
64%	64%	34%	49%	61%	43%	37%

Logix Merit Index	88
Growth Index	97
Reproduction Index	90

Birth Wt.	4kg
Wean Wt.	32.6kg (111)
Post-Wean	-
Mature Wt.	-
ADG Ind.	-
FCR Ind.	-
Scrotum	-

LOGIX
GENETICS ONLINE
EBV Analysis 2026-02-21

SELLER REMARKS: DRAGTIG MET 2LING
VAN J230107

LOT 64 (F)



dormer



LEEUEWKOP DORMERS



Rouxville, Free State
0710440838
charleschurch89@icloud.com

J 190174

LEEUEWKOP EWE J190174

Herd Book	SP
Birth date	2019-07-01
Age	6.7 years
Inbreeding	6.41%
Birth Stat.	3

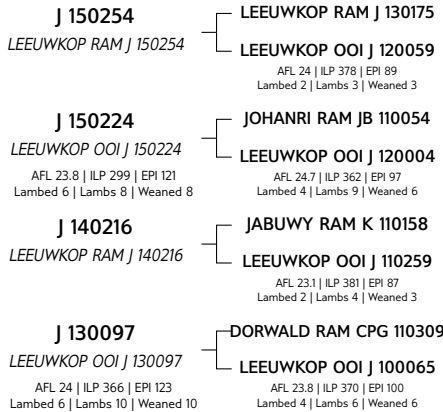
AFL	ILP	EPI
23.9m	363d	104

Lambled	4
Lambs (Sucking)	6 (0)
Weaned	6

J 170071 (1)
LEEUEWKOP RAM J 170071

Parentage Sire Dam
DNA
Genomic

J 160186 (1)
LEEUEWKOP OOI J 160186
AFL 23.6 | ILP 387 | EPI 111
Lambled 6 | Lambs 10 | Weaned 7



Growth			Reproduction			
Wn. Dir.	Wean Mat.	Post-Wn.	NLW	TWW	AFL	ILP
104	91	107	105	103	136	89
65%	68%	26%	49%	62%	39%	31%

Logix Merit Index	112
Growth Index	103
Reproduction Index	112

Birth Wt.	3kg
Wean Wt.	30.4kg (108)
Post-Wean	-
Mature Wt.	-
ADG Ind.	-
FCR Ind.	-
Scrotum	-

LOGIX
GENETICS ONLINE
EBV Analysis 2026-02-21

SELLER REMARKS: DRAGTIG MET 1 LING
VAN J230107

LOT 65 (F)



dormer



HEYMAN DORMERS

Koffiefontein, Free State
0641089587
dirkheyman199511@gmail.com

DH 220131

DH TAFELKOP EWE DH220131

Herd Book	SP
Birth date	2022-09-15
Age	3.5 years
Inbreeding	5.92%
Birth Stat.	1

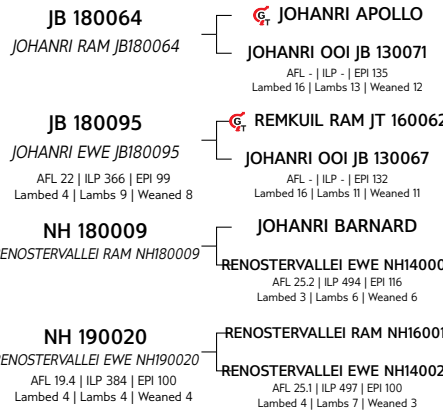
AFL	ILP	EPI
22.5m	381d	103

Lambled	2
Lambs (Sucking)	3 (0)
Weaned	3

JB 200036 (2)
JOHANRI JUNIOR

Parentage Sire Dam
DNA
Genomic

DH 210018 (1)
DH TAFELKOP EWE DH210018
AFL 19.5 | ILP 346 | EPI 95
Lambled 3 | Lambs 3 | Weaned 3



Growth			Reproduction			
Wn. Dir.	Wean Mat.	Post-Wn.	NLW	TWW	AFL	ILP
83	107	89	80	77	98	82
63%	63%	30%	46%	59%	42%	34%

Logix Merit Index	78
Growth Index	88
Reproduction Index	86

Birth Wt.	3kg
Wean Wt.	32.2kg (102)
Post-Wean	-
Mature Wt.	-
ADG Ind.	-
FCR Ind.	-
Scrotum	-

LOGIX
GENETICS ONLINE
EBV Analysis 2026-02-21

SELLER REMARKS: Junior dogter, dragtig
met 1-ling van Hilux DZ23 194

LOT 66 (F)



dormer



HEYMAN DORMERS

Koffiefontein, Free State
0641089587
dirkheyman199511@gmail.com

DH 220078

DH TAFELKOP EWE DH220078

Kuddeboek	SP	
Geb. dtm	2022-09-03	
Oud.	3.5 jaar	
Inteling	6.67%	
Geb. Status	2	
OEL	ILP	OPI
22.9m	268d	104
Gelam	2	
Lammers (Soog)	3 (0)	
Gespeen	3	

JB 200036 (2)
JOHANRI JUNIOR

Ouerskap Vaar Moer

DNS

Genomies

DH 200072 (1)

DH TAFELKOP EWE DH200072
OEL 24.4 | ILP 349 | OPI 107
Gelam 3 | Lammers 6 | Gespeen 6

JB 180064

JOHANRI RAM JB180064

JOHANRI APOLLO

JOHANRI OOI JB 130071

OEL - | ILP - | OPI 135
Gelam 16 | Lammers 13 | Gespeen 12

JB 180095

JOHANRI EWE JB180095

REMKUIL RAM JT 160062

JOHANRI OOI JB 130067

OEL 22 | ILP 366 | OPI 99
Gelam 4 | Lammers 9 | Gespeen 8

OEL - | ILP - | OPI 132
Gelam 16 | Lammers 11 | Gespeen 11

NH 180009

RENOSTERVALLEI RAM NH180009

JOHANRI BARNARD

RENOSTERVALLEI EWE NH140007

DH 180044

DH TAFELKOP OOI DH180044

OEL - | ILP 370 | OPI 110
Gelam 4 | Lammers 5 | Gespeen 5

Groeï			Reproduksie			
Spn. Dir.	Spn. Mat.	Na-Spn.	GLS	TWW	OEL	ILP
84	109	93	91	87	90	98
63%	63%	32%	45%	59%	41%	33%

Logix Meriete Indeks **86**

Groeï Indeks **90**

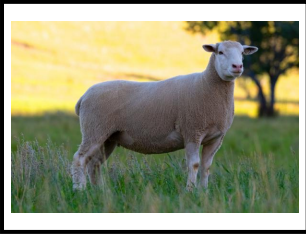
Reproduksie Indeks **95**

Geb. Gew.	3kg
Speen Gew.	33.9kg (108)
Na-Speen	-
Volw. Gew.	-
GDT Ind.	-
VOV Ind.	-
Skrotum	-

LOGIX
EBV Analise 2026-02-21

VERKOPER OPMERKINGS: Junior dogter, ooi wat baie vleis dra. Dragtig met 1-ling van Hilux DZ23 194

LOT 67 (F)



dormer



J.L. DU RANDT



Elliot, Eastern Cape
0848808920
juandurandt12@gmail.com

MS 230146

MOUNTAIN SHADOWS OOI MS 230146

Kuddeboek	SP	
Geb. dtm	2023-11-12	
Oud.	2.3 jaar	
Inteling	7.3%	
Geb. Status	1	
OEL	ILP	OPI
17.8m	-	100
Gelam	1	
Lammers (Soog)	1 (0)	
Gespeen	1	

DZ 210129 (2)

DROERIVIER RAM DZ 210129

Ouerskap Vaar Moer

DNS

Genomies

MS 200020 (1)

MOUNTAIN SHADOWS EWE MS200020
OEL 16.4 | ILP 306 | OPI 117
Gelam 6 | Lammers 8 | Gespeen 8

T 190243

2BROERS RAM T190243

HELDERHOEK RAM VE 130035

2BROERS OOI T 160060

OEL 15.2 | ILP 504 | OPI 84
Gelam 3 | Lammers 5 | Gespeen 5

DZ 190333

DROERIVIER OOI DZ 190333

JOHANRI APOLLO

DROERIVIER OOI DZ 160220

OEL 16 | ILP 299 | OPI 115
Gelam 6 | Lammers 11 | Gespeen 11

OEL 15.4 | ILP 453 | OPI 153
Gelam 11 | Lammers 21 | Gespeen 18

DZ 170149

DROERIVIER DIEZEL

DROERIVIER RAM DZ 140017

DROERIVIER OOI DZ 130051

OEL 17.6 | ILP 252 | OPI 157
Gelam 8 | Lammers 14 | Gespeen 14

OEL 17.6 | ILP 252 | OPI 157
Gelam 8 | Lammers 14 | Gespeen 14

GMO 140019

AVOCA EWE GMO140019

HELDERHOEK RAM VE 110015

AVOCA EWE GMO120012

OEL 16 | ILP 297 | OPI 155
Gelam 9 | Lammers 10 | Gespeen 10

OEL 24.6 | ILP - | OPI 88
Gelam 1 | Lammers 2 | Gespeen 2

Groeï			Reproduksie			
Spn. Dir.	Spn. Mat.	Na-Spn.	GLS	TWW	OEL	ILP
93	86	96	93	85	110	103
61%	55%	31%	43%	55%	36%	30%

Logix Meriete Indeks **90**

Groeï Indeks **88**

Reproduksie Indeks **91**

Geb. Gew.	4kg
Speen Gew.	29.6kg (86)
Na-Speen	-
Volw. Gew.	-
GDT Ind.	-
VOV Ind.	-
Skrotum	-

LOGIX
EBV Analise 2026-02-21

VERKOPER OPMERKINGS: Dragtig van JB 23-57 Lamdatum Mei. Covexin 10, Glanvac, Blue Tongue, Anthrax, Multivax P Plus

LOT 68 (F)



dormer



MS 230024

MOUNTAIN SHADOWS EWE MS230024

Kuddeboek	SP	
Geb. dtm	2023-04-15	
Oud.	2.9 jaar	
Inteling	5.54%	
Geb. Status	2	
OEL	ILP	OPI
17.4m	230d	108
Gelam	2	
Lammers (Soog)	3 (0)	
Gespeen	3	

J.L. DU RANDT



Elliot, Eastern Cape
0848808920
juandurandt12@gmail.com

DZ 210129 (2)
DROERIVIER RAM DZ 210129

Ouerskap Vaar Moer
DNS
Genomies

T 200558 (2)
2BROERS EWE T200558
OEL 20.2 | ILP 248 | OPI 100
Gelam 2 | Lammers 3 | Gespeen 2

T 190243
2BROERS RAM T190243
HELDERHOEK RAM VE 130035
2BROERS OOI T 160060
OEL 15.2 | ILP 504 | OPI 84
Gelam 3 | Lammers 5 | Gespeen 5

DZ 190333
DROERIVIER OOI DZ 190333
OEL 16 | ILP 299 | OPI 115
Gelam 6 | Lammers 11 | Gespeen 11
JOHANRI APOLLO
DROERIVIER OOI DZ 160220
OEL 15.4 | ILP 453 | OPI 153
Gelam 11 | Lammers 21 | Gespeen 18

SL 180118
ROOIHEK RAM SL180118
ROOIHEK RAM SL 170032
ROOIHEK OOI SL120040
OEL 18.6 | ILP 407 | OPI 147
Gelam 7 | Lammers 15 | Gespeen 12

T 190035
2BROERS OOI T190035
OEL 18.8 | ILP 253 | OPI 105
Gelam 6 | Lammers 10 | Gespeen 8
WELPIC RAM JP170001
2BROERS OOI T 120142
OEL 24.1 | ILP 413 | OPI 114
Gelam 7 | Lammers 10 | Gespeen 10

LOGIX
EBV Analise 2026-02-21

VERKOPER OPMERKINGS: Moontlik Dragtig loop by JB 23-57. Covexin 10, Glanvac, Blue Tongue, Anthrax, Multivax P Plus

Groeï			Reproduksie			
Spn. Dir.	Spn. Mat.	Na-Spn.	GLS	TWW	OEL	ILP
89	105	91	88	86	100	101
62%	60%	29%	42%	57%	39%	32%

Logix Meriete Indeks	90
Groeï Indeks	93
Reproduksie Indeks	95

Geb. Gew.	3kg
Speen Gew.	30.3kg (98)
Na-Speen	-
Volw. Gew.	-
GDT Ind.	-
VOV Ind.	-
Skrotum	-

LOT 69 (F)



dormer



VS 240183

VREDESIG OOI VS 240183

Herd Book	SP	
Birth date	2024-03-26	
Age	2 years	
Inbreeding	4.24%	
Birth Stat.	1	
AFL	ILP	EPI
-	-	-

VREDESIG FORBES



Darling, Western Cape
0825442336
wjfforbes@gmail.com

DZ 210225 (2)
DROERIVIER TYSON

Parentage Sire Dam

DNA

Genomic

JT 210443 (2)

REMKUIL OOI JT 210443
AFL 15.9 | ILP 295 | EPI 96
Lambd 4 | Lambs 5 | Weaned 4

DZ 190389

DROERIVIER PAYBACK

DZ 170154

DROERIVIER OOI DZ 170154
AFL 23.8 | ILP 301 | EPI 125
Lambd 7 | Lambs 12 | Weaned 11

AP 170392

RHENOSTERBOSRUG RAM AP 170392

JT 190520

REMKUIL OOI JT 190520
AFL 16.2 | ILP 338 | EPI 114
Lambd 5 | Lambs 9 | Weaned 8

JOHANRI APOLLO

DROERIVIER OOI DZ 150162
AFL 19.9 | ILP 402 | EPI 124
Lambd 6 | Lambs 11 | Weaned 11

DROERIVIER RAM DZ 110115

DROERIVIER OOI DZ 120194
AFL 16.2 | ILP 260 | EPI 147
Lambd 8 | Lambs 13 | Weaned 13

RHENOSTERBOSRUG RAM AP 130504

RHENOSTERBOSRUG OOI AP 130516
AFL 23.6 | ILP 364 | EPI 144
Lambd 8 | Lambs 13 | Weaned 12

REMKUIL RAM JT 160623

REMKUIL OOI JT 170702
AFL 19.4 | ILP 362 | EPI 107
Lambd 3 | Lambs 6 | Weaned 6

Growth			Reproduction			
Wn. Dir.	Wean Mat.	Post-Wn.	NLW	TWW	AFL	ILP
102	93	96	98	98	103	100
63%	55%	60%	42%	55%	42%	30%

Logix Merit Index **102**

Growth Index **102**

Reproduction Index **99**

Birth Wt.	3kg
Wean Wt.	38.1kg (105)
Post-Wean	53.3kg (87)
Mature Wt.	-
ADG Ind.	-
FCR Ind.	-
Scrotum	-

LOGIX
genetics
EBV Analysis 2026-02-21

SELLER REMARKS: Tyson dogter met lam 263 (O), vaar VS 24 100. Entings; Inmeva , Blu Vax, Glenvac 3 en Clostrivax O

LOT 70 (F)



dormer



J 210130

LEEUEWKOP OOI J 210130

Herd Book	SP	
Birth date	2021-07-14	
Age	4.7 years	
Inbreeding	6.36%	
Birth Stat.	2	
AFL	ILP	EPI
23.8m	358d	96
Lambd	2	
Lambs (Sucking)	3 (0)	
Weaned	3	

LEEUEWKOP DORMERS



Rouxville, Free State
0710440838
charleschurch89@icloud.com

J 180034 (2)

LEEUEWKOP RAM J180034

Parentage Sire Dam

DNA

Genomic

J 180185 (1)

LEEUEWKOP EWE J180185
AFL 23.7 | ILP 369 | EPI 91
Lambd 3 | Lambs 5 | Weaned 5

J 150254

LEEUEWKOP RAM J 150254

J 140196

LEEUEWKOP OOI J 140196
AFL 23.9 | ILP 357 | EPI 96
Lambd 4 | Lambs 8 | Weaned 6

J 160162

LEEUEWKOP RAM J 160162

J 160127

LEEUEWKOP OOI J 160127
AFL 24.3 | ILP 400 | EPI 97
Lambd 3 | Lambs 5 | Weaned 5

LEEUEWKOP RAM J 130175

LEEUEWKOP OOI J 120059
AFL 24 | ILP 378 | EPI 89
Lambd 2 | Lambs 3 | Weaned 3

JABUWY RAM K 110158

LEEUEWKOP OOI J 100014
AFL 24 | ILP 367 | EPI 132
Lambd 6 | Lambs 10 | Weaned 10

HELDERHOEK RAM VE 130035

LEEUEWKOP OOI J 140103
AFL 23.9 | ILP 367 | EPI 96
Lambd 5 | Lambs 10 | Weaned 6

LEEUEWKOP RAM J 140230

LEEUEWKOP OOI J 140236
AFL 23.5 | ILP 294 | EPI 140
Lambd 7 | Lambs 12 | Weaned 12

Growth			Reproduction			
Wn. Dir.	Wean Mat.	Post-Wn.	NLW	TWW	AFL	ILP
98	93	103	99	95	136	88
65%	65%	34%	48%	61%	44%	35%

Logix Merit Index **104**

Growth Index **97**

Reproduction Index **107**

Birth Wt.	3kg
Wean Wt.	31.1kg (101)
Post-Wean	-
Mature Wt.	-
ADG Ind.	-
FCR Ind.	-
Scrotum	-

LOGIX
genetics
EBV Analysis 2026-02-21

SELLER REMARKS: DRAGTIG MET 2 LING VAN J230107

LOT 71 (F)



dormer



LEEUEWKOP DORMERS



Rouxville, Free State
0710440838
charleschurch89@icloud.com

J 210052

LEEUEWKOP OOI J 210052

Herd Book	SP
Birth date	2021-07-06
Age	4.7 years
Inbreeding	5.36%
Birth Stat.	2

AFL	ILP	EPI
23.9m	359d	97

Lambled	2
Lambs (Sucking)	3 (0)
Weaned	3

J 190124 (2)
LEEUEWKOP RAM J190124

Parentage	Sire	Dam
DNA		
Genomic		

J 180033 (2)
LEEUEWKOP EWE J180033

AFL 24.5 | ILP 365 | EPI 138
Lambled 6 | Lambs 11 | Weaned 11

JB 160084

JOHANRI APOLLO

JOHANRI RAM JB 140174

JOHANRI OOI JB 120196

AFL - | ILP - | EPI 127
Lambled 11 | Lambs 11 | Weaned 8

J 160049

LEEUEWKOP OOI J 160049

AFL 23.9 | ILP 356 | EPI 89
Lambled 2 | Lambs 3 | Weaned 3

LEEUEWKOP RAM J 140216

LEEUEWKOP OOI J 110041

AFL 24.4 | ILP 362 | EPI 113
Lambled 5 | Lambs 8 | Weaned 7

J 150254

LEEUEWKOP RAM J 150254

LEEUEWKOP RAM J 130175

LEEUEWKOP OOI J 120059

AFL 24 | ILP 378 | EPI 89
Lambled 2 | Lambs 3 | Weaned 3

J 120087

LEEUEWKOP OOI J 120087

AFL 24 | ILP 363 | EPI 133
Lambled 6 | Lambs 12 | Weaned 11

J.O.R RAM JOR 080277

LEEUEWKOP OOI J 100093

AFL 23.8 | ILP 367 | EPI 107
Lambled 4 | Lambs 8 | Weaned 7



SELLER REMARKS: DRAGTIG MET 2 LING VAN J230107

Growth			Reproduction			
Wn. Dir.	Wean Mat.	Post-Wn.	NLW	TWW	AFL	ILP
107	108	107	104	110	107	100
66%	67%	36%	50%	63%	46%	37%

Logix Merit Index	115
Growth Index	115
Reproduction Index	114

Birth Wt.	3kg
Wean Wt.	32.9kg (107)
Post-Wean	-
Mature Wt.	-
ADG Ind.	-
FCR Ind.	-
Scrotum	-

LOT 72 (F)



HEYMAN DORMERS
Koffiefontein, Free State
0641089587
dirkheyman199511@gmail.com

DH 230099

DH TAFELKOP OOI DH 230099

. Kuddeboek	SP	
Geb. dtm	2023-08-18	
Oud.	2.6 jaar	
Inteling	5.31%	
Geb. Status	2	
OEL	ILP	OPI
20.2m	-	101
Gelam	1	
Lammers (Soog)	2 (0)	
Gespeen	2	

JB 200036 (2)
JOHANRI JUNIOR

Ouerskap Vaar Moer
DNS
Genomies

GH 180721 (2)
MERTOUN EWE GH180721
OEL 17.6 | ILP 395 | OPI 118
Gelam 5 | Lammers 8 | Gespeen 8

JB 180064
JOHANRI RAM JB180064

JB 180095
JOHANRI EWE JB180095
OEL 22 | ILP 366 | OPI 99
Gelam 4 | Lammers 9 | Gespeen 8

GH 130212
MERTOUN RAM GH130212

GH 160230
MERTOUN EWE GH160230
OEL 26 | ILP 365 | OPI 100
Gelam 4 | Lammers 6 | Gespeen 6

JOHANRI APOLLO

JOHANRI OOI JB 130071
OEL - | ILP - | OPI 135
Gelam 16 | Lammers 13 | Gespeen 12

REMKUIL RAM JT 160062

JOHANRI OOI JB 130067
OEL - | ILP - | OPI 132
Gelam 16 | Lammers 11 | Gespeen 11

2BROERS RAM T 110047

JOHANRI OOI JB 080064
OEL 55 | ILP 349 | OPI 105
Gelam 5 | Lammers 9 | Gespeen 7

AVOCA RAM GMO 110017

MERTOUN OOI GH 140022
OEL 23.5 | ILP 401 | OPI 98
Gelam 4 | Lammers 6 | Gespeen 6

Groeï			Reproduksie			
Spn. Dir.	Spn. Mat.	Na-Spn.	GLS	TWW	OEL	ILP
79	97	79	94	81	82	83
64%	63%	32%	46%	59%	44%	31%

Logix Meriete Indeks	75
Groeï Indeks	78
Reproduksie Indeks	86

Geb. Gew.	4kg
Speen Gew.	35.5kg (96)
Na-Speen	-
Volw. Gew.	-
GDT Ind.	-
VOV Ind.	-
Skrotum	-

LOGIX
GENOMICS
EBV Analise 2026-02-21

VERKOPER OPMERKINGS: Junior dogter, dragtig met 2-ling van Hilux DZ23 194

LOT 73 (F)



HEYMAN DORMERS
Koffiefontein, Free State
0641089587
dirkheyman199511@gmail.com

DH 230177

DH TAFELKOP OOI DH 230177

. Kuddeboek	SP	
Geb. dtm	2023-09-09	
Oud.	2.5 jaar	
Inteling	4.85%	
Geb. Status	2	
OEL	ILP	OPI
23.2m	-	98
Gelam	1	
Lammers (Soog)	2 (0)	
Gespeen	2	

JB 200036 (2)
JOHANRI JUNIOR

Ouerskap Vaar Moer
DNS
Genomies

VE 180183 (2)
HELDERHOEK EWE VE180183
OEL 20.3 | ILP 371 | OPI 106
Gelam 4 | Lammers 7 | Gespeen 7

JB 180064
JOHANRI RAM JB180064

JB 180095
JOHANRI EWE JB180095
OEL 22 | ILP 366 | OPI 99
Gelam 4 | Lammers 9 | Gespeen 8

VE 170056
HELDERHOEK RAM VE 170056

VE 130091
HELDERHOEK OOI VE 130091
OEL 25 | ILP 358 | OPI 132
Gelam 5 | Lammers 8 | Gespeen 7

JOHANRI APOLLO

JOHANRI OOI JB 130071
OEL - | ILP - | OPI 135
Gelam 16 | Lammers 13 | Gespeen 12

REMKUIL RAM JT 160062

JOHANRI OOI JB 130067
OEL - | ILP - | OPI 132
Gelam 16 | Lammers 11 | Gespeen 11

HELDERHOEK RAM VE 150040

REMKUIL OOI JT 140714
OEL 24 | ILP 255 | OPI 89
Gelam 3 | Lammers 4 | Gespeen 3

HELDERHOEK RAM VE 080028

HELDERHOEK OOI VE 110026
OEL 17 | ILP 426 | OPI 105
Gelam 4 | Lammers 5 | Gespeen 4

Groeï			Reproduksie			
Spn. Dir.	Spn. Mat.	Na-Spn.	GLS	TWW	OEL	ILP
83	80	87	104	84	97	78
62%	58%	28%	44%	56%	41%	28%

Logix Meriete Indeks	79
Groeï Indeks	74
Reproduksie Indeks	88

Geb. Gew.	4kg
Speen Gew.	38.8kg (105)
Na-Speen	-
Volw. Gew.	-
GDT Ind.	-
VOV Ind.	-
Skrotum	-

LOGIX
GENOMICS
EBV Analise 2026-02-21

VERKOPER OPMERKINGS: Junior dogter, dragtig met 1-ling van Ariat DH24 018

LOT 74 (F)



J.L. DU RANDT
Elliot, Eastern Cape
0848808920
juandurandt12@gmail.com

MS 240038

MOUNTAIN SHADOWS OOI MS 240038

. Kuddeboek	SP	
Geb. dtm	2024-05-21	
Oud.	1.8 jaar	
Inteling	5.23%	
Geb. Status	1	
OEL	ILP	OPI
-	-	-

SWH 210215 (1)
SWH RAM SWH210215

Ouerskap Vaar Moer
DNS
Genomies

MS 200096 (2)
MOUNTAIN SHADOWS EWE MS200096
OEL 18.2 | ILP 379 | OPI 111
Gelam 4 | Lammers 6 | Gespeen 6

JH 180144
KAIROS RAM JH180144

SWH 190027
SWH EWE SWH190027
OEL 29 | ILP - | OPI 88
Gelam 1 | Lammers 1 | Gespeen 1

PHR 180319
PHR RAM PHR 180319

MS 180002
MOUNTAIN SHADOWS EWE MS180002
OEL 16.4 | ILP 335 | OPI 91
Gelam 5 | Lammers 8 | Gespeen 7

JOHANRI RAM JB150119

KAIROS OOI JH 140098
OEL - | ILP - | OPI 108
Gelam 10 | Lammers 7 | Gespeen 7

JOHANRI RAM JB160083

SWH OOI SWH 170493
OEL 18.4 | ILP 455 | OPI 93
Gelam 3 | Lammers 4 | Gespeen 4

NOVA BARLETTA RAM NB130119

PHR OOI PHR 160736
OEL 16.4 | ILP 324 | OPI 117
Gelam 7 | Lammers 12 | Gespeen 12

JOHANRI RAM JB160100

AVOCA EWE GMO120011
OEL 24.4 | ILP 323 | OPI 133
Gelam 7 | Lammers 13 | Gespeen 12

Groeï			Reproduksie			
Spn. Dir.	Spn. Mat.	Na-Spn.	GLS	TWW	OEL	ILP
91	107	93	97	95	108	104
57%	45%	30%	34%	47%	28%	23%

Logix Meriete Indeks	99
Groeï Indeks	97
Reproduksie Indeks	106

Geb. Gew.	4kg
Speen Gew.	36.7kg (100)
Na-Speen	-
Volw. Gew.	-
GDT Ind.	-
VOV Ind.	-
Skrotum	-

LOGIX
GENOMICS
EBV Analise 2026-02-21

VERKOPER OPMERKINGS: Moontlik Dragtig loop by JB 23-57. Covexin 10, Glanvac, Blue Tongue, Anthrax, Multivax P Plus

LOT 75 (F)



dormer



MS 240128

MOUNTAIN SHADOWS OOI MS 240128

Herd Book	SP	
Birth date	2024-10-25	
Age	1.4 years	
Inbreeding	5.27%	
Birth Stat.	1	
AFL	ILP	EPI
-	-	-

J.L. DU RANDT



Elliot, Eastern Cape
0848808920
juandurandt12@gmail.com

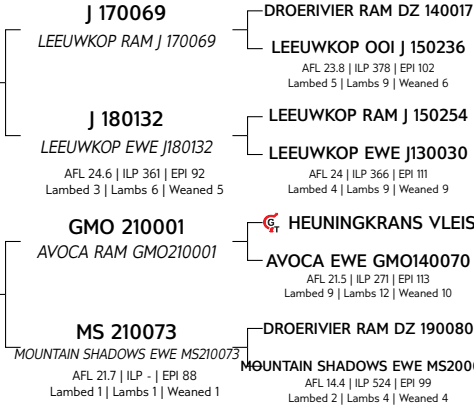
J 200207 (2)
LEEUEWKOP RAM J 200207

Parentage Sire Dam

DNA

Genomic

MS 230061 (1)
MOUNTAIN SHADOWS OOI MS 230061
AFL 17.4 | ILP - | EPI 94
Lambd 1 | Lambs 1 | Weaned 1



LOGIX
EBV Analysis 2026-02-21

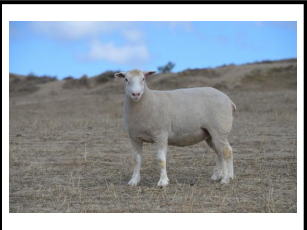
Growth			Reproduction			
Wn. Dir.	Wean Mat.	Post-Wn.	NLW	TWW	AFL	ILP
108	92	106	107	107	107	106
59%	44%	18%	32%	47%	30%	21%

Logix Merit Index	112
Growth Index	107
Reproduction Index	108

Birth Wt.	4kg
Wean Wt.	45.5kg (106)
Post-Wean	-
Mature Wt.	-
ADG Ind.	-
FCR Ind.	-
Scrotum	-

SELLER REMARKS: Dragtig met 2ling lamdatum April/Mei. Covexin 10, Glanvac, Blue Tongue, Anthrax, Multivax P Plus

LOT 76A (F)



VS 250270
VREDESIG OOI VS 250270

Kuddeboek	SP	
Geb. dtm	2025-03-23	
Oud.	12 maande	
Inteling	4.8%	
Geb. Status	2	
OEL	ILP	OPI
-	-	-

VREDESIG FORBES



Darling, Western Cape
0825442336
wijjforbes@gmail.com

JB 200099 (3)
JOHANRI RAM JB200099 SPIEKERIES

Ouerskap Vaar Moer

DNS

Genomies

JNRD200198 (2)
JANOR EWE JNRD200198

OEL 25.6 | ILP 345 | OPI 134
Gelam 4 | Lammers 6 | Gespeen 6

JB 180116
JOHANRI KETTING

JB 180086
JOHANRI EWE JB180086

OEL - | ILP - | OPI 100
Gelam 5 | Lammers 9 | Gespeen 8

NB 180009
NOVA BARLETTA SPUTNIK

JNRD180075
JANOR EWE JNRD180075

OEL 16.9 | ILP 293 | OPI 79
Gelam 2 | Lammers 3 | Gespeen 2

REMKUIL RAM JT 160062
JOHANRI OOI JB 130067

OEL - | ILP - | OPI 132
Gelam 16 | Lammers 11 | Gespeen 11

REMKUIL RAM JT 160062
JOHANRI OOI JB 130067

OEL - | ILP - | OPI 132
Gelam 16 | Lammers 11 | Gespeen 11

JOHANRI APOLLO
NOVA BARLETTA EWE NB140096

OEL 25.1 | ILP 330 | OPI 96
Gelam 3 | Lammers 5 | Gespeen 4

KAIIROS RAM JH 140095
RHENOSTERBOSRUG OOI AP 150072

OEL 23.8 | ILP 340 | OPI 170
Gelam 6 | Lammers 16 | Gespeen 15



VERKOPER OPMERKINGS: Speikeries dogter met goeie bouvorm en syfers. Oop ooi. Entings: Inmeva , Blu Vax, Glenvac 3 en Clostrivax O

Groei			Reproduksie			
Spn. Dir.	Spn. Mat.	Na-Spn.	GLS	TWW	OEL	ILP
104	95	113	100	101	94	98
63%	54%	47%	43%	55%	41%	34%

Logix Meriete Indeks	103	Geb. Gew.	3kg
Groei Indeks	105	Speen Gew.	33.4kg (89)
Reproduksie Indeks	99	Na-Speen	-
		Volw. Gew.	-
		GDT Ind.	-
		VOV Ind.	-
		Skrotum	-

LOT 76B (F)



VS 250291
VREDESIG OOI VS250291

Kuddeboek	SP	
Geb. dtm	2025-03-23	
Oud.	12 maande	
Inteling	4.75%	
Geb. Status	2	
OEL	ILP	OPI
-	-	-

VREDESIG FORBES



Darling, Western Cape
0825442336
wijjforbes@gmail.com

JB 220206 (2)
JOHANRI JB 220206 STROOPER

Ouerskap Vaar Moer

DNS

Genomies

AP 210107 (3)
AP OOI AP 210107

OEL 25 | ILP 339 | OPI 112
Gelam 3 | Lammers 5 | Gespeen 4

JB 200073
JOHANRI RAM JB200073

JB 190024
JOHANRI EWE JB190024

OEL 24.4 | ILP 364 | OPI 98
Gelam 3 | Lammers 6 | Gespeen 6

AP 160353
RHENOSTERBOSRUG RAM AP 160353

AP 180473
RHENOSTERBOSRUG OOI AP 180473

OEL 23.7 | ILP 369 | OPI 113
Gelam 4 | Lammers 8 | Gespeen 8

JOHANRI KETTING
JOHANRI EWE JB180018

OEL 23.2 | ILP 368 | OPI 101
Gelam 6 | Lammers 11 | Gespeen 9

JOHANRI RAM JB160174
JOHANRI EWE JB160103

OEL 18.1 | ILP 348 | OPI 135
Gelam 7 | Lammers 15 | Gespeen 15

TOP 3 RAM ASJ 130392
RHENOSTERBOSRUG OOI AP 120010

OEL 25.4 | ILP 359 | OPI 133
Gelam 6 | Lammers 11 | Gespeen 10

REMKUIL RAM JT 160189
RHENOSTERBOSRUG OOI AP 160214

OEL 24.5 | ILP 362 | OPI 110
Gelam 5 | Lammers 8 | Gespeen 8



VERKOPER OPMERKINGS: Stroper dogter met goeie bouvorm. Oop ooi. Entings: Inmeva , Blu Vax, Glenvac 3 en Clostrivax O

Groei			Reproduksie			
Spn. Dir.	Spn. Mat.	Na-Spn.	GLS	TWW	OEL	ILP
106	85	107	91	91	99	86
53%	43%	29%	33%	45%	30%	25%

Logix Meriete Indeks	95	Geb. Gew.	6kg
Groei Indeks	101	Speen Gew.	34.5kg (100)
Reproduksie Indeks	87	Na-Speen	-
		Volw. Gew.	-
		GDT Ind.	-
		VOV Ind.	-
		Skrotum	-

LOT 76C (F)



dormer



VS 250253

VREDESIG OOI VS 250253

Kuddeboek	SP	
Geb. dtm	2025-03-23	
Oud.	12 maande	
Inteling	6.78%	
Geb. Status	3	
OEL	ILP	OPI
-	-	-

VREDESIG FORBES



Darling, Western Cape
0825442336
wijjforbes@gmail.com

JB 220206 (2)
JOHANRI JB 220206 STROOPER

Ouerskap	Vaar	Moer
DNS		
Genomies		

FCC 200099 (1)
SANCTUARY OOI FCC 200099
OEL 15.3 | ILP 329 | OPI 119
Gelam 5 | Lammers 8 | Gespeen 7

JB 200073
JOHANRI RAM JB200073

JB 190024
JOHANRI EWE JB190024
OEL 24.4 | ILP 364 | OPI 98
Gelam 3 | Lammers 6 | Gespeen 6

FCC 180510
SANCTUARY RAM FCC180510

FCC 180569
SANCTUARY EWE FCC180569
OEL 19.9 | ILP 228 | OPI 83
Gelam 2 | Lammers 2 | Gespeen 2

JOHANRI KETTING

JOHANRI EWE JB180018
OEL 23.2 | ILP 368 | OPI 101
Gelam 6 | Lammers 11 | Gespeen 9

JOHANRI RAM JB160174

JOHANRI EWE JB160103
OEL 18.1 | ILP 348 | OPI 135
Gelam 7 | Lammers 15 | Gespeen 15

WELPIC RAM JP170054

SANCTUARY OOI FCC 160315
OEL 24.8 | ILP 386 | OPI 89
Gelam 2 | Lammers 4 | Gespeen 4

SANCTUARY RAM FCC 170256

SANCTUARY OOI FCC 170039
OEL 16.2 | ILP 255 | OPI 93
Gelam 2 | Lammers 2 | Gespeen 2



EBV Analyse 2026-02-21

VERKOPER OPMERKINGS: Stroper dogter, een van 'n 3 ling met goeie syfers en bouvorm. Entings: Inmeva, Blu Vax, Glenvac 3 en Clostrivax O

Groeï			Reproduksie			
Spn. Dir.	Spn. Mat.	Na-Spn.	GLS	TWW	OEL	ILP
115	86	113	89	96	91	103
59%	46%	34%	36%	49%	32%	27%

Logix Meriete Indeks	103
Groeï Indeks	112
Reproduksie Indeks	87

Geb. Gew.	3kg
Speen Gew.	41.4kg (110)
Na-Speen	-
Volw. Gew.	-
GDT Ind.	-
VOV Ind.	-
Skrotum	-

LOT 77A (F)



VREDESIG FORBES



Darling, Western Cape
0825442336
wijforbes@gmail.com

VS 250022
VREDESIG OOI VS 250022

Herd Book	SP	
Birth date	2025-02-25	
Age	1.1 years	
Inbreeding	18.79%	
Birth Stat.	1	
AFL	ILP	EPI
-	-	-



DZ 220007 (2)
DROERIVIER RAM DZ 220007

Parentage	Sire	Dam
DNA		
Genomic		

DZ 220065 (2)
DROERIVIER OOI DZ 220065
AFL - | ILP - | EPI -
Lambded 3 | Lambs 2 | Weaned 2

DZ 200380
DROERIVIER RAM DZ 200380
KAIROS RAM JH180130
DROERIVIER OOI DZ 170291
AFL 19.8 | ILP - | EPI 94
Lambded 3 | Lambs 5 | Weaned 5

DZ 200141
DROERIVIER OOI DZ 200141
AFL 15.4 | ILP 480 | EPI 90
Lambded 3 | Lambs 5 | Weaned 5
REMKUIL RAM JT 160062
DROERIVIER OOI DZ 140034
AFL 17.3 | ILP 338 | EPI 103
Lambded 7 | Lambs 14 | Weaned 13

DZ 200380
DROERIVIER RAM DZ 200380
KAIROS RAM JH180130
DROERIVIER OOI DZ 170291
AFL 19.8 | ILP - | EPI 94
Lambded 3 | Lambs 5 | Weaned 5

DZ 180055
DROERIVIER RAM DZ 160084
DROERIVIER OOI DZ 180055
AFL 15.9 | ILP 424 | EPI 155
Lambded 9 | Lambs 15 | Weaned 15
DROERIVIER OOI DZ 160289
AFL 15.8 | ILP - | EPI 87
Lambded 1 | Lambs 1 | Weaned 1

Growth			Reproduction			
Wn. Dir.	Wean Mat.	Post-Wn.	NLW	TWW	AFL	ILP
99	95	97	95	94	91	97
59%	46%	33%	34%	48%	30%	23%

Logix Merit Index	95
Growth Index	99
Reproduction Index	94

Birth Wt.	3kg
Wean Wt.	42.1kg (100)
Post-Wean	-
Mature Wt.	-
ADG Ind.	-
FCR Ind.	-
Scrotum	-

LOGIX
EBV Analysis 2026-02-21

SELLER REMARKS: Jong ooi met goeie bouvorm. Oop ooi. Entings; Inmeva , Blu Vax, Glenvac 3 en Clostrivax O

LOT 77B (F)



VREDESIG FORBES



Darling, Western Cape
0825442336
wijforbes@gmail.com

VS 250300
VREDESIG OOI VS 250300

Herd Book	SP	
Birth date	2025-03-23	
Age	12 months	
Inbreeding	4.43%	
Birth Stat.	1	
AFL	ILP	EPI
-	-	-



JB 200099 (3)
JOHANRI RAM JB200099 SPIEKERIES

Parentage	Sire	Dam
DNA		
Genomic		

AP 210389 (1)
RHENOSTERBOSRUG OOI AP210389
AFL 27.1 | ILP 292 | EPI 105
Lambded 3 | Lambs 4 | Weaned 4

JB 180116
JOHANRI KETTING
REMKUIL RAM JT 160062
JOHANRI OOI JB 130067
AFL - | ILP - | EPI 132
Lambded 16 | Lambs 11 | Weaned 11

JB 180086
JOHANRI EWE JB180086
AFL - | ILP - | EPI 100
Lambded 5 | Lambs 9 | Weaned 8
REMKUIL RAM JT 160062
JOHANRI OOI JB 130067
AFL - | ILP - | EPI 132
Lambded 16 | Lambs 11 | Weaned 11

AP 160042
RHENOSTERBOSRUG RAM AP 160042
RHENOSTERBOSRUG OOI AP 090065
AFL 23.5 | ILP 364 | EPI 113
Lambded 6 | Lambs 10 | Weaned 9

AP 150237
RHENOSTERBOSRUG OOI AP 150237
AFL 24.2 | ILP 368 | EPI 116
Lambded 5 | Lambs 8 | Weaned 8
DROERIVIER RAM DZ 110200
RHENOSTERBOSRUG OOI AP 100280
AFL 23.4 | ILP 371 | EPI 108
Lambded 5 | Lambs 8 | Weaned 8

Growth			Reproduction			
Wn. Dir.	Wean Mat.	Post-Wn.	NLW	TWW	AFL	ILP
103	97	110	82	88	95	94
63%	53%	47%	41%	54%	39%	32%

Logix Merit Index	93
Growth Index	104
Reproduction Index	86

Birth Wt.	5kg
Wean Wt.	42.6kg (114)
Post-Wean	-
Mature Wt.	-
ADG Ind.	-
FCR Ind.	-
Scrotum	-

LOGIX
EBV Analysis 2026-02-21

SELLER REMARKS: Spiekeries dogter met goeie bouvorm. Oop ooi. Entings; Inmeva , Blu Vax, Glenvac 3 en Clostrivax O

LOT 77C (F)



VREDESIG FORBES



Darling, Western Cape
0825442336
wijforbes@gmail.com

VS 250144
VREDESIG OOI VS 250144

Herd Book	SP	
Birth date	2025-03-19	
Age	12 months	
Inbreeding	4.42%	
Birth Stat.	2	
AFL	ILP	EPI
-	-	-



HE 220197 (1)
EKSTENS HATARI RAM HE220197 BUFFEL

Parentage	Sire	Dam
DNA		
Genomic		

VS 220103 (1)
VREDESIG OOI VS 220103
AFL 19.2 | ILP 357 | EPI 102
Lambded 2 | Lambs 3 | Weaned 3

JH 180153
KAIROS RAM JH180153
JOHANRI RAM JB150119
KAIROS OOI JH 140015
AFL - | ILP - | EPI 98
Lambded 14 | Lambs 9 | Weaned 5

SL 180140
ROOIEK EWE SL180140
AFL - | ILP - | EPI 155
Lambded 12 | Lambs 15 | Weaned 13
ROOIEK RAM SL 170032
ROOIEK OOI SL 160036
AFL 28 | ILP 332 | EPI 88
Lambded 2 | Lambs 3 | Weaned 3

NB 200050
NOVA BARLETTA RAM NB200050
NOVA BARLETTA EWE NB160432
AFL 17 | ILP 325 | EPI 123
Lambded 6 | Lambs 11 | Weaned 10

NB 190500
NOVA BARLETTA EWE NB190500
AFL - | ILP - | EPI 118
Lambded 5 | Lambs 8 | Weaned 7
2BROERS RAM T 160050
NOVA BARLETTA EWE NB130192
AFL 21.5 | ILP 361 | EPI 121
Lambded 5 | Lambs 9 | Weaned 8

Growth			Reproduction			
Wn. Dir.	Wean Mat.	Post-Wn.	NLW	TWW	AFL	ILP
104	97	96	105	105	105	108
59%	46%	40%	36%	49%	33%	29%

Logix Merit Index	109
Growth Index	105
Reproduction Index	108

Birth Wt.	5kg
Wean Wt.	35.7kg (95)
Post-Wean	-
Mature Wt.	-
ADG Ind.	-
FCR Ind.	-
Scrotum	-

LOGIX
EBV Analysis 2026-02-21

SELLER REMARKS: Oop ooi met goeie syfers. Entings; Inmeva , Blu Vax, Glenvac 3 en Clostrivax O

Sales Catalogue Herd Rams / Ewes / Verkoopskatalogus Kudderamme / Ooie DORMER

Progeny not for Registration / Nageslag nie vir Registrasie nie

Compiled by the South African Stud Book Association and Logix Small Stock, Pedigree- and Performance data certified correct
Saamgestel deur die Suid-Afrikaanse Stamboekvereniging en Logix Kleinvee, Stamboom- en Prestasiedata korrek gesertifiseer

Ewes / Ooie

Animal ID LOT Dier ID	Birth Date Geb. Datum	Status GEN	Wean Speen			Post Wean Naspeen			NLW% GLS%	VR SI% SD	Own Lamb Record / Eie lamrekord Dam lamb record / Moer Lamrekord						Sire / Vaar Status		Dam / Moer Status		Buyer comment/price Koper opmerking/prys			
			Ind	Dir Acc Akk	Mat Acc Akk	Ind	Dir Acc Akk	1st			ILP	TL	LB	LS	MLI	EPI	Sire / Vaar	Dam / Moer	Sire / Vaar	Dam / Moer				
0529684 MNR. J.L. DU RANDT, DALMALLY POSBUS 383, ELLIOT, 5460																								
78A	MS 25 0142	02 LMB SP	97							(#)	.0	0	0	0	18.3	338	2	3	3	95	106	JB 220041 (02) JB 200072	MS 230035 (02) MS 190020	
Comment: Moet gekeur word vir SP-status. Opmerking:																								
78B	MS 25 0127	03 LMB SP	100							(#)	.0	0	0	0	18.9	295	7	12	11	105	121	J 200207 (02) J 170069	MS 190021 (01) MS 150272	
Comment: Moet gekeur word vir SP-status. Opmerking:																								

Symbol Definitions:	* Top 10%	+ Top 10% to Top 40%	= Top 40% to Bottom 40%	- Bottom 40% to Bottom 10%	x Bottom 10%	(#) Own Lamb Record	(\$)	Pre-wean
Simbool Beskrywings:	Boonste 10%	Boonste 10% tot Boonste 40%	Boonste 40% tot Onderste 40%	Onderste 40 % tot Onderste 10%	Onderste 10%	Eie Lam Rekord		Voorspeen
NLW%:	EBV for Number of Lambs Weaned		GLS%:	Ebv van Getal Lammers Gespeen		1st:	Age First lamb / Ouderdom Eerste Lam	
ILP:	Inter Lambing Period / Tussenlam Periode		TL:	Times Lambed / Kere Gelam		LB:	Number of Lambs Born / Aantal Lammers Gebore	
LS:	Number of Lambs Weaned / Aantal Lammers Gespeen		MLI:	Mean Lamb Index / Gemiddelde Lamindeks		EPI:	Ewe Production Index / Ooi Produksie Indeks	
SI%:	Selection Index Percentage / Keuringindeks Persentasie (VR)		SD:	Scrotum Deviation / Skrotumafwyking				

Sales Catalogue Herd Rams / Ewes / Verkoopskatalogus Kudderamme / Ooie DORMER

Progeny not for Registration / Nageslag nie vir Registrasie nie

Compiled by the South African Stud Book Association and Logix Small Stock, Pedigree- and Performance data certified correct
Saamgestel deur die Suid-Afrikaanse Stamboekvereniging en Logix Kleinvee, Stamboom- en Prestasiedata korrek gesertifiseer

Ewes / Ooie

Animal ID LOT Dier ID	Birth Date Geb. Datum	Status GEN	Wean Speen			Post Wean Naspeen			NLW% GLS%	VR SI% SD	Own Lamb Record / Eie lamrekord Dam lamb record / Moer Lamrekord						Sire / Vaar Status		Dam / Moer Status		Buyer comment/price Koper opmerking/prys				
			Ind	Dir Acc Akk	Mat Acc Akk	Ind	Dir Acc Akk	1st			ILP	TL	LB	LS	MLI	EPI	Sire / Vaar	Dam / Moer	Sire / Vaar	Dam / Moer					
0529684 MNR. J.L. DU RANDT, DALMALLY POSBUS 383, ELLIOT, 5460																									
78C	MS 25 0129	02 LMB 20/06/2025 B	100							(#) .0	0	0	0	11.7	438	5	6	5	120	100	J 200207 (02) J 170069	J 180132	MS 190088 (02) MS 180005	GMO 150026	
Comment: Moet gekeur word vir SP-status. Opmerking:																									
78D	MS 25 0132	01 LMB 21/09/2025 SP								(#) .0	0	0	0	24.1	388	3	5	4	80	94	JB 220041 (02) JB 200072	JB 180053	MS 210102 (01) DZ 190080	GMO 160045	
Comment: Moet gekeur word vir SP-status. Opmerking:																									
78E	MS 25 0135	02 LMB 21/09/2025 SP	114							(#) .0	0	0	0	29.3		1	2	2	124	101	JB 220041 (02) JB 200072	JB 180053	MS 230016 (02) J 200207	MS 190001	
Comment: Moet gekeur word vir SP-status. Opmerking:																									
78F	MS 25 0136	01 LMB 21/09/2025 SP								(#) .0	0	0	0	22.1	322	5	6	5	125	135	JB 220041 (02) JB 200072	JB 180053	MS 200052 (02) MS 180017	MS 190056	
Comment: Moet gekeur word vir SP-status. Opmerking:																									
78G	MS 25 0131	01 LMB 21/09/2025 SP								(#) .0	0	0	0	16.3		1	1	0			MS 230013 (01) DZ 210129	MS 200082	MS 240027 (02) SWH 210215	MS 220058	
Comment: Moet gekeur word vir SP-status. Opmerking:																									

Symbol Definitions: *	Top 10%	Top 10% to Top 40%	Top 40% to Bottom 40%	Bottom 40% to Bottom 10%	Bottom 10%	Own Lamb Record	Pre-wean
Simbool Beskrywings: *	Boonste 10%	Boonste 10% tot Boonste 40%	Boonste 40% tot Onderste 40%	Onderste 40% tot Onderste 10%	Onderste 10%	Eie Lam Rekord	Voorspeen
NLW%:	EBV for Number of Lambs Weaned		GLS%:	Ebv van Getal Lammers Gespeen		1st:	Age First lamb / Ouderdom Eerste Lam
ILP:	Inter Lambing Period / Tussenlam Periode		TL:	Times Lambed / Kere Gelam		LB:	Number of Lambs Born / Aantal Lammers Gebore
LS:	Number of Lambs Weaned / Aantal Lammers Gespeen		MLI:	Mean Lamb Index / Gemiddelde Lamindeks		EPI:	Ewe Production Index / Ooi Produksie Indeks
SI%:	Selection Index Percentage / Keuringindeks Persentasie (VR)		SD:	Scrotum Deviation / Skrotumafwyking			

KOMMERSIELE OOIE

80	VS1 TOT VS10	10 2LING DRAGTIGE OOIE - 2025 OOIE
81	VS11 TOT VS20	10 2LING DRAGTIGE OOIE - 2024 OOIE
82	VS21 TOT VS 30	10 1LING DRAGTIGE OOIE - 2025 OOIE
83	VS31 TOT VS35	5 1LING DRAGTIGE OOIE - 2025 OOIE
84	VS36 TOT VS40	5 OOP OOIE - OOI LAMMERS REG VIR RAM
85	MS	5 OOI LAMMERS (8 MAANDE OUD)
86	MS	5 OOI LAMMERS (8 MAANDE OUD)
87	MS	10 JONG OOIE REG VIR RAM (8 MAANDE OUD)
88	MS	10 OOI LAMMERS (6 MAANDE OUD)
89	MS	10 OOI LAMMERS (6 MAANDE OUD)
90	JMS	10 OOI LAMMERS (6 MAANDE OUD)

DIE BOER SE **BESTE** BOD

THE FARMER'S **BEST** BID



PORT ELIZABETH | KAAP

H/v 28^{ste} Laan & Buffelsfontein
Port Elizabeth 6001
Posbus 6126, Walmer 6065
Tel: 041 001 0122
www.vleissentraal.co.za

Besturende Direkteur (Port Elizabeth) : Chris Troskie 072 709 7974

Uitvoerende Direkteur (Aliwal-Noord) : Mario Kruger 060 522 3906

Bestuurder Noord-Kaap & Afslaer (Colesberg) : André van Zyl 084 587 7660

Bestuurder Kaap / Stoorlamkoördineerder (Mosselbaai) : Willem Botha 072 868 4087

Finansiële Bestuurder: Albert Gouws 063 681 7556 | **Bemakingsbestuurder:** Dirk Odendaal 072 493 9989

Veilingkoördineerders: Hendrik de Kock 083 306 8402 | Philip Lottering 063 253 3422

Delano Roelofse 083 595 7405

BEMARKERS : VLEISSENTRAAL PORT ELIZABETH

Aliwal-Noord: Hendrick de Kock 083 306 8402 | Mario Kruger 060 522 3906 | Philip Lottering 063 253 3422

Barkly-Oos: Rupert Potgieter 082 418 8118 | Milton Green 083 500 9695 | DB Nel 079 040 6517

Beaufort-Wes: Wilmar Pienaar 083 445 8100

Bethulie: Hendré Calitz 071 876 8410

Burgersdorp / Venterstad: Pieter van Niekerk 081 043 0932 | Jannie van Straaten 082 891 717

Colesberg: André van Zyl 084 587 7660

Cradock: Johan Swart 081 335 6714

De Aar: Louis Vorster 078 359 6058

Graaff-Reinet: Phillip Piek 083 309 4144

Hanover: Jannie van Schalkwyk 082 417 6965

Jansenville: Nappie Erasmus 082 897 8791

Middelburg: Coert Vorster 072 211 5600

Molteno / Steynsburg: Justin Kuyler 068 673 2778

Petrusville: Johan Swanepoel 084 626 8510

Phillipstown: Rassie Smith 084 500 0149

Port Alfred: Calvyn de Klerk 082 498 5745

Port Elizabeth: Johan le Grange 074 103 9825

Rouxville: Wessie Odendaal 082 343 1858

Somerset-Oos / Pearston: Tiaan Troskie 072 122 0904

Strydenburg: Allan Buchanan-Clarke 084 233 1781

Zastron: Blaine Dormehl 081 889 9486

BEMARKERS : VLEISSENTRAAL KAAP

Melkbeeskoördineerder: Bartel Schutte 082 413 1285

Wes-Kaap: Francois Destroo 083 416 6550

Suid-Kaap: Pierre Erasmus 084 776 2507 | Nicholas Hodgson 066 191 8600

Upington: Clement Penny 084 580 4707 | Christia Scholtz 079 541 5843 | Peter Scholtz 076 306 3812 |

Riaan Liebenberg 083 383 7791 | Chris Hendriks 083 4490 852 | Stiaan von Weilligh 082 844 6604